



Maryland
Department of
the Environment

Wes Moore, Governor
Aruna Miller, Lt. Governor

Serena McIlwain, Secretary
Suzanne E. Dorsey, Deputy Secretary

March 6, 2024

Maryland Dept of Natural Resources
And
City of Crisfield
c/o Chris Rager
Bayland Consultants & Designers, Inc
7455 New Ridge Road, Suite T
Hanover, MD 21076

Via email: crager@baylandinc.com

Re: Agency Interest Number: 127599
Tracking Number: 202261550
Tidal Authorization Number: 23-WQC-0015

Dear Maryland Dept of Natural Resources:

Your project did not qualify for approval under the Maryland State Programmatic General Permit (MDSPGP); therefore, a separate review and issuance of the federal permit will be required by the U.S. Army Corps of Engineers. The federal permit is not attached.

Additionally, your project required a Wetlands License to be approved and issued by the Maryland Board of Public Works (BPW). The Wetlands License will be sent to you by BPW's Wetlands Administrator.

A project that does not qualify for approval under the MDSPGP requires an individual Water Quality Certification (WQC) to be issued by the Maryland Department of the Environment, which is attached. Please take a moment to read and review your WQC to ensure that you understand the limits of the authorized work and all of the general and special conditions.

You should not begin any work until you have obtained all necessary State, local, and federal authorizations. Please contact Mary Phipps-Dickerson at mary.phipps-dickerson@maryland.gov or (443) 509-0797 with any questions.

Sincerely,

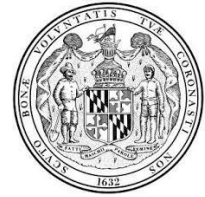
Type text here

Tammy Roberson

Tammy Roberson, Chief
Tidal Wetlands Division



STATE OF MARYLAND
DEPARTMENT OF THE ENVIRONMENT
WATER AND SCIENCE ADMINISTRATION
WATER QUALITY CERTIFICATION



23-WQC-0015

EFFECTIVE DATE: **March 6, 2024**
CERTIFICATION HOLDER: **Maryland Dept of Natural Resources**
C/o Kelly Wright
580 Taylor Avenue
Annapolis, Maryland 21401-8239
(410)260-8921
Lester.wright@maryland.gov
And
City of Crisfield
Attn: Mayor Darlene Taylor
Somers Cove Marina
319 W Main St
Crisfield, MD 21817
PROJECT LOCATION: **715 Broadway**
Crisfield, MD 21817

UNDER AUTHORITY OF SECTION 401 OF THE FEDERAL WATER POLLUTION CONTROL ACT AND ITS AMENDMENTS AND IN ACCORDANCE WITH § 9-313 THROUGH § 9-323, INCLUSIVE, OF THE ENVIRONMENT ARTICLE, ANNOTATED CODE OF MARYLAND, THE MARYLAND DEPARTMENT OF THE ENVIRONMENT, WATER AND SCIENCE ADMINISTRATION HAS DETERMINED THAT THE REGULATED ACTIVITIES DESCRIBED IN THE REQUEST FOR CERTIFICATION FOR THE PROPOSED SOMERS COVE UPGRADE AND AS DESCRIBED IN THE ATTACHED PLAN SHEETS DATED September 6, 2023 AND ANY SUBSEQUENT MODIFICATIONS APPROVED BY THE DEPARTMENT WILL NOT VIOLATE MARYLAND'S WATER QUALITY STANDARDS, IF CONDUCTED IN ACCORDANCE WITH THE CONDITIONS OF THIS CERTIFICATION.

THIS CERTIFICATION DOES NOT RELIEVE THE APPLICANT OF RESPONSIBILITY FOR OBTAINING ANY OTHER APPROVALS, LICENSES, OR PERMITS IN ACCORDANCE WITH FEDERAL, STATE, OR LOCAL REQUIREMENTS AND DOES NOT AUTHORIZE COMMENCEMENT OF THE PROPOSED PROJECT. A COPY OF THIS REQUIRED CERTIFICATION HAS BEEN SENT TO THE CORPS OF ENGINEERS. THE CERTIFICATION HOLDER SHALL COMPLY WITH THE CONDITIONS LISTED BELOW.

PROJECT DESCRIPTION

Upgrade and reconfigure an existing public marina as depicted on plans dated January 3, 2023, and described below:

1. Remove 61,659 square feet of existing piers, 5,895 square feet of walkway, 7,492 square feet of boat ramp structures, 604 mooring piles and four dolphins;

2. Construct and backfill a 3,948-foot long Fiber Reinforced Polymer (FRP) Composite Sheeting bulkhead within a maximum of 1.5 feet channelward of the mean high water line including a 266-foot long section supported by batter piles;
3. Construct Pier A consisting of a 225-foot long wide by 10-foot main fixed pier with a 120-foot long by 10-foot wide "T" platform, five 65-foot long by 8-foot wide fixed accessory piers, four 45-foot long by 4-foot wide fixed accessory piers, a 337-foot long by 1-foot wide wave break along the main pier and platform, 8 mooring piles, and 6 3-pile dolphins, all within a maximum of 199 feet channelward of the mean high water line;
4. Construct Piers B & C consisting of a 39-foot long by 6-foot wide ADA accessible gangway to a 531-foot long by 8-foot wide floating parallel pier with five 50-foot long by 5-foot wide floating finger piers, one 45-foot long by 4-foot wide finger pier, one 40-foot long by 5-foot wide ADA accessible floating finger pier, three 40-foot long by 4-foot wide floating finger piers, a 23-foot long by 6-foot wide gangway to a 30-foot long by 15-foot wide floating platform, and 23 mooring piles, a 47-foot long by 17-foot wide fixed pier with a 65-foot long by 6-foot wide fixed finger pier, and a 45-foot long by 11-foot wide floating platform all within a maximum of 65 feet channelward of the mean high water line;
5. Construct Pier D at 170-foot long by 8-foot wide floating pier all within a maximum of 176 feet channelward of the mean high water line;
6. Construct Pier E consisting of a 39-foot long by 6-foot ADA accessible gangway landing on a 36-foot long by 14-foot wide floating platform, leading to a 219-foot long by 10-foot wide floating main pier with a 140-foot long by 10-foot wide "T" floating platform with two 60-foot long by 5-foot wide floating finger piers, two 50-foot long by 5-foot floating finger piers, two 45-foot long by 4-foot wide finger piers, three 40-foot long by 4-foot wide floating finger piers, one 40-foot long by 5-foot wide ADA accessible floating finger pier, and 28 mooring piles, all within a maximum of 280 feet channelward of the mean high water line;
7. Disconnect Pier G as necessary to replace the bulkhead and replace in kind;
8. Construct a 370-foot long by 8-foot wide floating pier to access Piers H, I, and J with two 12-foot long by 10-foot wide fixed platforms each with a 44-foot long by 6-foot wide ADA accessible gangway, landing on a 16-foot long by 10-foot wide floating platform adjacent to the main access pier;
9. Construct Pier H consisting of a 218-foot long by 8-foot wide floating main pier with a 100-foot long by 8-foot wide "T" floating platform, ten 35-foot long by 4-foot wide finger piers, and 24 mooring piles all 249 feet channelward of the mean high water line;
10. Construct Pier I consisting of a 226 foot long by 8-foot wide floating main pier with an 84-foot long by 8-foot wide "T" floating platform, eleven 30-foot long by 4-foot wide floating finger piers, one 30-foot long by 5-foot wide ADA accessible floating finger pier, and 12 mooring piles, all within a maximum of 257 feet channelward of the mean high water line;
11. Construct Pier J consisting of a 219-foot long by 8-foot wide floating main pier with a 60-foot long by 8-foot wide "T" floating platform, a 50-foot long by 20-foot wide personal watercraft floating platform, ten 25-foot long by 4-foot wide floating finger piers, one 20-foot long by 4-foot wide floating finger pier, one 20-foot long by 5-foot wide ADA accessible floating finger pier, and 15 mooring piles all within a maximum of 252 feet channelward of the mean high water line;
12. Construct Pier K consisting of a 44-foot long by 6-foot wide ADA accessible gangway landing on a 37-foot long by 12-foot wide floating platform leading to a 374-foot long by 8-foot wide floating main pier with a 90-foot long by 8-foot wave attenuating "T" floating platform, nineteen 40-foot floating long by 4-foot wide floating finger piers, one 40-foot long by 5-foot wide ADA accessible floating pier, and 40 mooring piles all within a maximum of 442 feet channelward of the mean high water line;

13. Construct Pier L consisting of a 44-foot long by 6-foot wide ADA accessible gangway landing on a 37-foot long by 12-foot wide floating platform leading to a 445-foot long by 10-foot wide floating main pier with a 130-foot long by 10-foot wide “T” floating platform, eight 60-foot long by 5-foot wide floating finger piers, two 55-foot long by 5-foot wide floating finger piers, two 50-foot long by 5-foot wide floating finger piers, four 45-foot long by 4-foot wide floating finger piers, three 40-foot long by 4-foot wide floating finger pier, one 40-foot long by 5-foot wide ADA accessible floating finger pier, two 35-foot long by 4-foot wide floating finger piers, and 36 mooring piles all within a maximum of 512 feet channelward of the mean high water line;
14. Construct Pier M consisting of a 44-foot long by 6-foot wide ADA accessible gangway landing on a 31-foot long by 12-foot wide floating platform leading to a 438-foot long by 8-foot wide floating main pier with a 93-foot long by 8-foot wide “T” floating platform, six 45-foot floating long by 4-foot wide floating finger piers, six 40-foot long by 4-foot wide floating finger piers, eight 35-foot long by 4-foot wide floating finger piers, three 30-foot long by 4-foot wide floating finger piers, one 30-foot long by 5-foot wide ADA accessible floating finger pier, and 44 mooring piles all within a maximum of 502 feet channelward of the mean high water line;
15. Construct Pier O consisting of a 44-foot long by 6-foot wide ADA accessible gangway landing on a 19-foot long by 17-foot wide floating platform leading to a 377-foot long by 10-foot wide floating main pier with a 140-foot long by 10-foot “T” floating platform, two 65-foot long by 5-foot wide floating finger piers, six 55-foot long by 5-foot wide floating finger piers, four 50-foot long by 5-foot wide floating finger piers, one 45-foot long by 4-foot wide floating finger pier, one 45-foot long by 5-foot wide ADA accessible floating pier, and 33 mooring piles all within a maximum of 406 feet channelward of the mean high water line;
16. Construct Pier P consisting of a 400-foot long by 10-foot wide fixed main pier with a 140-foot long by 10-foot wide “T” fixed platform, two 65-foot floating long by 5-foot wide fixed finger piers, four 55-foot long by 5-foot wide fixed finger piers, four 50-foot long by 5-foot wide fixed finger piers, three 45-foot long by 4-foot wide fixed finger piers, one 45-foot long by 5-foot wide ADA accessible fixed finger pier, 36 mooring piles, three 3-pile dolphins, and 551 linear feet of wave screen along the pier and platform, all within a maximum of 415 feet channelward of the mean high water line;
17. Replace the decking and stringers of a 587-foot long by 9-foot wide catwalk pier and fifteen 20-foot long by 4-foot wide fixed finger piers and 15 mooring piles all within a maximum of 587 feet channelward of the mean high water line;
18. Reconstruct a 105-foot long by 36-foot wide concrete boat ramp and two 79-foot long by 16-foot wide boat ramps with two 106-foot long by 8-foot wide floating piers all within a maximum of 106 feet channelward of the mean high water line;
19. Replace in-kind ten stormwater drain outfalls with reinforced concrete pipe and tide valves; and
20. Construct a new 70-foot long by 24-inch diameter reinforced concrete pipe stormwater outfall.

The Administration satisfied statutory and regulatory public notice requirements by placing this WQC on Public Notice from June 15, 2023 to July 15, 2023 on the Maryland Department of the Environment’s Public Notice webpage and advertising in the Somerset Herald on June 20, 2023.

GENERAL CONDITIONS

1. All water quality-related performance standards and conditions required by the Department in any state issued authorization for activities in tidal wetlands, nontidal wetlands, their 100-year floodplain, nontidal wetlands buffers, or nontidal wetland expanded buffers to ensure that any discharges will not result in a failure to comply with water quality standards in COMAR 26.08.02 or any other water quality requirements of state law or regulation shall be met.
2. This Certification does not obviate the need to obtain required authorizations or approvals from other State, federal or local agencies as required by law.
3. All additional authorizations or approvals, including self-certifying General Permits issued by the Department, shall be obtained and all conditions shall be completed in compliance with such authorizations.
4. The proposed project shall be constructed in accordance with the approved final plan by the Department, or, if Department approval is not required, the plan approved by the U.S. Army Corps of Engineers, and its approved revisions.
5. All fill and construction materials not used in the project shall be removed and disposed of in a manner which will prevent their entry into waters of this State.
6. This Certification does not authorize any injury to private property, any invasion of rights, or any infringement of federal, state, or local laws or regulations.
7. Authorized representatives of the Department shall be provided access to the site of authorized activities during normal business hours to conduct inspections and evaluations of the operations and records necessary to assure compliance with this Certification.
8. No stockpiles of any material shall be placed in Waters of the U.S. or state or private tidal wetlands.
9. Temporary construction trailers or structures, staging areas and stockpiles shall not be located within tidal wetlands, nontidal wetlands, nontidal wetlands buffers, or the 100-year floodplain unless specifically included on the Approved Plan.
10. This Certification is valid for the project identified herein and the associated U.S. Army Corps of Engineers NAB-2022-61550-M30 (Somers Cove Marina), until such time as that federal approval expires or is not administratively extended.

SPECIAL CONDITIONS

1. The Certificate Holder shall comply with all Critical Area requirements and obtain all necessary authorizations from the local jurisdiction. This Certificate does not constitute authorization for disturbance in the 100-foot Critical Area Buffer. "Disturbance" in the Buffer means clearing, grading, construction activities, or removal of any size of tree or vegetation. Any anticipated Buffer

disturbance requires prior written approval, before commencement of land disturbing activity, from local jurisdiction in the form of a Buffer Management Plan.

2. If the authorized work is not performed by the property owner, all work performed under this Water Quality Certificate shall be conducted by a marine contractor licensed by the Marine Contractors Licensing Board (MCLB) in accordance with Title 17 of the Environment Article of Annotated Code of Maryland. A list of licensed marine contractors may be obtained by contacting the MCLB at 410-537- 3249, by e-mail at MDE.MCLB@maryland.gov or by accessing the Maryland Department of the Environment, Environmental Boards webpage.
3. The issuance of this Certification is not a validation or authorization by the Department for any of the existing structures depicted on the plan sheets on the subject property that is not part of the authorized work description, nor does it relieve the Certificate Holder of the obligation to resolve any existing noncompliant structures and activities within tidal wetlands.
4. The Certificate Holder shall complete construction of the bulkhead prior to filling behind the bulkhead. The bulkhead shall be designed and constructed to prevent the loss of fill material to waters of the State of Maryland. Only clean fill, which is free of organic, toxic, contaminated, or deleterious materials, shall be used.
5. The Certificate Holder shall have all work proposed above the mean high water line (MHWL) reviewed and authorized by Somerset County Department of Planning & Zoning.
6. Stormwater discharges from ponds, stormwater management outfalls, and stormwater facilities shall have a velocity no greater than four feet per second for the two-year storm in order to prevent erosion in the receiving waterway or wetland.
7. The Certificate Holder shall not fill, dredge, or otherwise alter or destroy any existing marsh vegetation.
8. The Certificate Holder shall assure that there is no discharge of sanitary wastewater from any boat or vessel moored, berthed, or docked at this mooring or docking facility, except as prescribed by federal or State regulations.
9. The Certificate Holder shall, prior to any boat being moored at the facility, certify to the Water and Science Administration, Tidal Wetlands Division, that dockside sewage pump out facilities to accommodate sewage from vessels using the applicant's marina are installed, operated, and maintained. The facilities shall be connected to a public sewage treatment system serving the area or to an on-site sewage disposal system sized, installed, and operated in compliance with the requirements of the Somerset County Health Department.
10. The Certificate Holder shall ensure that the storage and handling of petroleum products shall be in strict accordance with the Oil Pollution Regulations of the Maryland Department of the Environment. The Certificate Holder shall employ measures to prevent and control spills of fuels or lubricants from entering the waters of this State.
11. The Certificate Holder shall assure that boat maintenance areas on dry land shall be designed and operated so that residues from bottom scraping, painting, or other discharges and spills

associated with required boat maintenance do not enter the waters of the State. Toxic materials shall be properly stored and handled.

12. The Certificate Holder shall assure that all boat maintenance at individual slips shall be restricted to those activities that can be performed without materials entering the waterway.
13. The Certificate Holder shall assure that trash and garbage containers will be conveniently located, and the marina owner/operator shall be responsible for adequate disposal of collected materials. Such waste shall not be discharged to the waterway.

CITATIONS AND STATEMENTS OF NECESSITY

1. Statement of Necessity for General Conditions 1, 2, 3, 4, and Special Conditions 1, 3, 5: These conditions are necessary to ensure that water quality standards are met, and designated uses are maintained.

Citations: Federal and state laws which authorize this condition include but are not limited to: 33 U.S.C. § 1341(a), (b), & (d); 33 U.S.C. § 1251(b); 33 U.S.C. § 1370; Md. Ann. Code, Env. Article, Title 1, Subtitles 3 and 4; Md. Ann. Code, Env. Article, Title 5, Subtitles 5 and 9; Md. Ann. Code, Env. Article, Title 9, Subtitle 3; Md. Ann. Code, Env. Article, Title 16; COMAR 26.08; COMAR 26.08.02.10G(3); COMAR 26.23.02.06; COMAR 26.17.01; COMAR 26.23; COMAR 26.24

2. Statement of Necessity for General Conditions 5, 8, 9 and Special Condition 7, 12, 13: Fill, garbage, or construction material within or adjacent to regulated resources may cause discharges resulting in turbidity in excess of water quality standards and interfere with designated uses of growth and propagation of fish, other aquatic life, wildlife; and other designated uses; and fail to meet general water quality criteria that waters not be polluted by substances in amounts sufficient to be unsightly or create a nuisance.

Citation: 26.08.02.03B(1)-B(2); COMAR 26.23; COMAR 26.24; COMAR 26.17.04

3. Statement of Necessity for General Condition 6: This condition is necessary to clarify the scope of this certification to ensure compliance with water quality regulations, without limiting restrictions through other requirements.

Citation: Federal and state laws which authorize this condition include but are not limited to: 33 U.S.C. § 1341(a), (b), & (d); 33 U.S.C. § 1251(b); 33 U.S.C. § 1370; Md. Ann. Code, Env. Article, Title 1, Subtitles 3 and 4; Md. Ann. Code, Env. Article, Title 5, Subtitles 5 and 9; Md. Ann. Code, Env. Article, Title 9, Subtitle 3; Md. Ann. Code, Env. Article, Title 16; COMAR 26.08, COMAR 26.08.02.10E; COMAR 26.23.02.06; COMAR 26.17.04; COMAR 26.23; COMAR 26.24

4. Statement of Necessity for General Condition 7: Conditions of certification involve precise actions to comply with water quality standards. Site inspection may be necessary to ensure that

limits, methods, and other requirements are met to ensure that water quality standards are met and designated uses are maintained. These conditions are necessary to ensure that the activity was conducted, and project completed according to terms of the authorization/certification, while allowing for review of in-field modifications which may have resulted in discharges to ensure that water quality standards were met. Designated uses include support of estuarine and marine aquatic life and shellfish harvesting and for growth and propagation of fish, other aquatic life, and wildlife.

Citation: Federal and state laws that authorize this condition include but are not limited to: 33 U.S.C. § 1341(a), (b), & (d); 33 U.S.C. § 1251(b); 33 U.S.C. § 1370; Md. Ann. Code, Env. Article, Title 1, Subtitles 3 and 4; Md. Ann. Code, Env. Article, Title 5, Subtitles 5 and 9; Md. Ann. Code, Env. Article, Title 9, Subtitle 3; Md. Ann. Code, Env. Article, Title 16; COMAR 26.08; COMAR 26.08.02.03B(1)(b); COMAR 26.08.02.03B(2); COMAR 26.23.02.06; COMAR 26.23; COMAR 26.24; COMAR 26.17.04

5. Statement of Necessity for General Condition 10: This condition is necessary to qualify the period of applicability of the terms and conditions of this Certification to be protective of Maryland water quality standards.

Citations: Federal and state laws which authorize this condition include but are not limited to: 33 U.S.C. § 1341(a), (b), & (d); 33 U.S.C. § 1251(b); 33 U.S.C. § 1370; 40 C.F.R. 121, 15 C.F.R. 930, Md. Ann. Code, Env. Article, Title 1, Subtitles 3 and 4; Md. Ann. Code, Env. Article, Title 5, Subtitles 5 and 9; Md. Ann. Code, Env. Article, Title 9, Subtitle 3; Md. Ann. Code, Env. Article, Title 16; COMAR 26.08; COMAR 26.17.04; COMAR 26.23; COMAR 26.24

6. Statement of Necessity for Special Condition 2, 6: Expertise for conducting certain activities is required to ensure that there is no violation of water quality standards nor interference with designated uses. This condition is necessary to ensure that discharges will be conducted in a manner which does not violate water quality criteria nor interfere with designated uses.

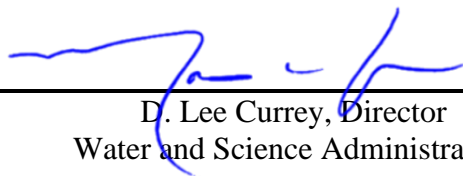
Citation: COMAR 26.08.02.02B(2)- B(4); COMAR 26.08 02.03B(2)(d) – (e); COMAR 26.08.02.03B(1)(b); 26.08.02.03B(2); COMAR 23.02.04.04

7. Statement of Necessity for Special Condition 4: Loss of fill material may result in violations of water quality due to turbidity and other alterations which interfere with designated uses as well as designated use class for support of estuarine and marine aquatic life, and support of designated uses for growth and propagation of fish, shallow water submerged vegetation, other aquatic life and wildlife. Loss limits will maintain the designation use.

Citations: Md. Ann. Code, Env. Article, Title 1, Subtitles 3 and 4; Md. Ann. Code, Env. Article, Title 5, Subtitles 5 and 9; Md. Ann. Code, Env. Article, Title 9, Subtitle 3; Md. Ann. Code, Env. Article, Title 16; COMAR 26.24; COMAR 26.08; COMAR 26.08.02.10G(3); COMAR 26.08.02.06; COMAR 26.17.04; COMAR 26.23; COMAR 26.23.02.06; 33 U.S.C. § 1341(a), (b), & (d); 33 U.S.C. § 1251(b); 33 U.S.C. § 1370; Md. Ann. Code, Env. Article, Title 1, Subtitles 3 and 4; Md. Ann. Code, Env. Article, Title 9, Subtitle 3; Md. Ann. Code, Env. Article, Title 16; COMAR 26.08; COMAR 26.24

8. Statement of Necessity for Special Condition 8-11: The condition is necessary to ensure that any discharges will not result in a failure to comply with water quality standards in COMAR 26.08.02. or other water quality requirements of state law or regulation.

CERTIFICATION APPROVED



D. Lee Currey, Director
Water and Science Administration

3/8/2025

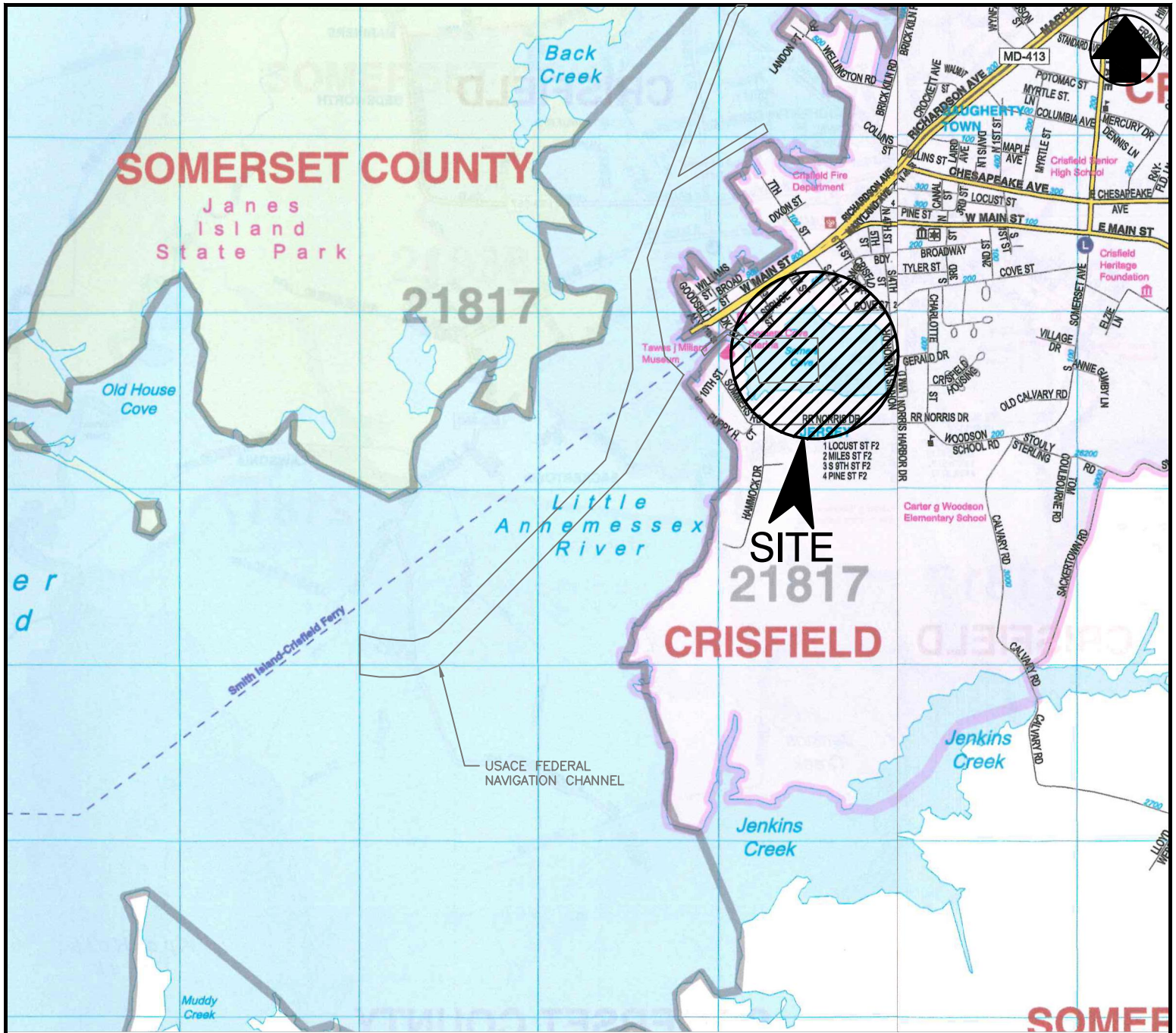
Date

Tracking Number: 202261550
Agency Interest Number: 127599

Effective Date: March 6, 2024

Enclosure: Plan Sheets dated September 6, 2023

cc: WSA Inspection & Compliance Program
Army Corps of Engineers



1 LOCUST ST F2
 2 MILES ST F2
 3 S 9TH ST F2
 4 PINE ST F2

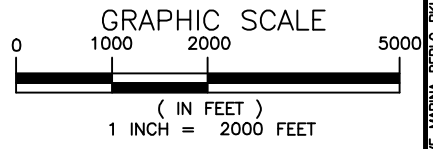
**SITE
 21817
 CRISFIELD**

SOMERSET COUNTY ADC MAP COORDINATES:
 MAP 55 GRID F-2 & F-3

MAP COPYRIGHT © ADC THE MAP PEOPLE, (800) 829-6277
 PERMITTED USE NUMBER BJE051055

22-WL-0999 & 23-WQC-0015
 202261550
 AI-127599
 9/6/2023
 MPD

**REPLACEMENT OF BULKHEAD, STORM
 DRAINS, UTILITIES & BOAT RAMP
 AT
 SOMERS COVE MARINA
 SOMERSET COUNTY, MD**



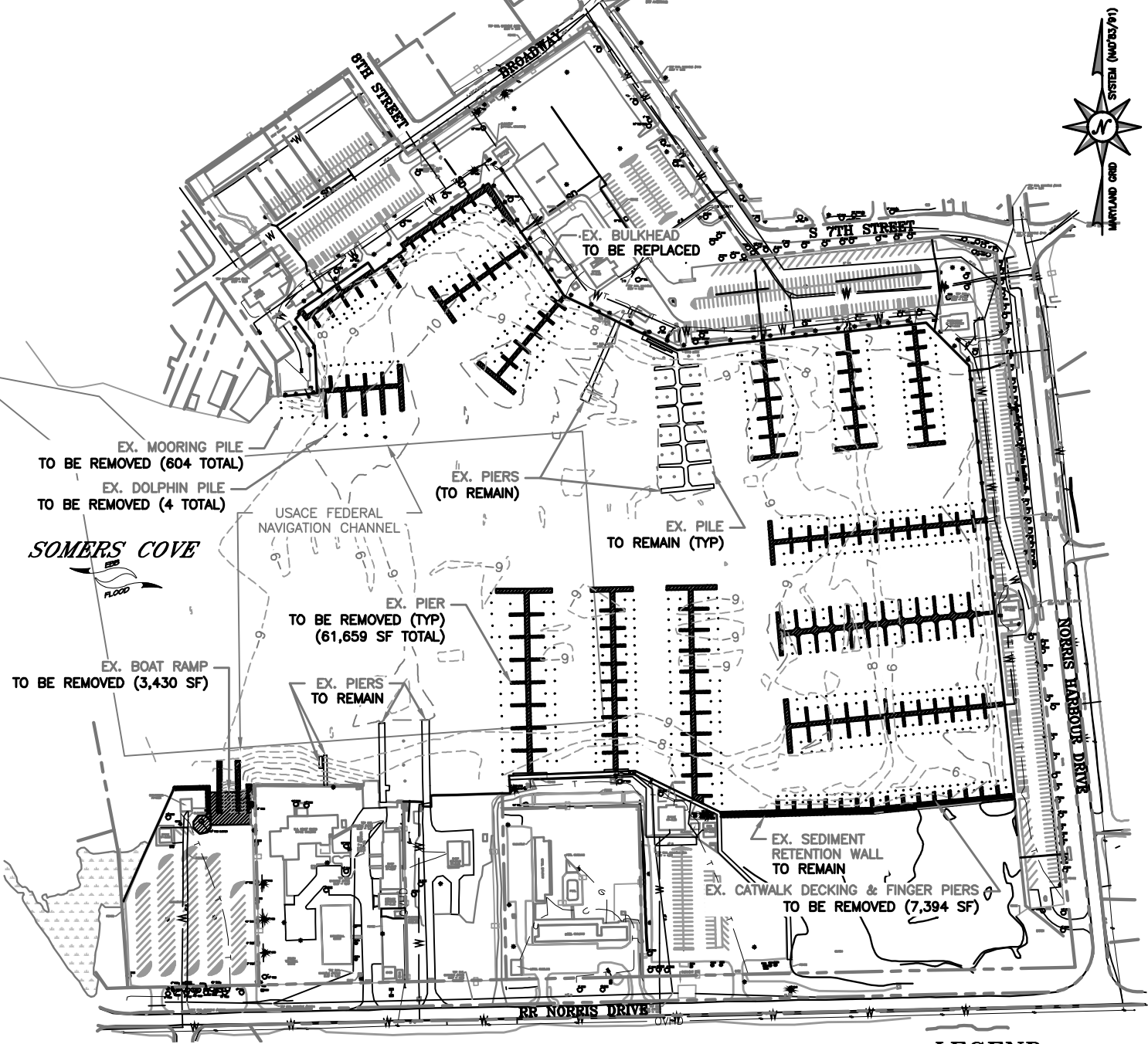
APPL. BY: MARYLAND DEPARTMENT OF NATURAL RESOURCES
 CITY OF CRISFIELD
VICINITY MAP

DATE: September 2023 SHEET 1 OF 17





Bayland
 Consultants & Designers, Inc.
 "Integrating Engineering and Environment"

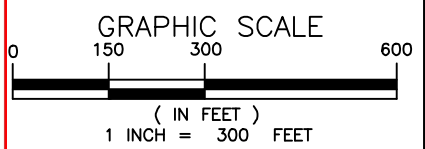
7455 New Ridge Road, Suite 1 Phone: (410) 694-9401
 Hanover, Maryland 21076 Fax: (410) 694-9405
 www.baylandinc.com

Z:\B_38201_SOMERS_COVE_MARINA_REPLC_BKHDR\CAD FILES\SHEET FILES\B_38201_JMAP01.DWG



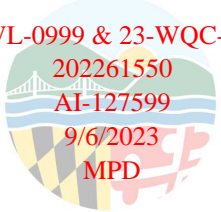
LEGEND

-  EX. PIER TO REMAIN
-  EX. PIER TO BE REMOVED
-  EX. PILE TO REMAIN
-  EX. PILE TO BE REMOVED



REPLACEMENT OF BULKHEAD, STORM
DRAINS, UTILITIES & BOAT RAMP
AT
SOMERS COVE MARINA
SOMERSET COUNTY, MD

22-WL-0999 & 23-WQC-0015
202261550
AI-127599
9/6/2023
MPD



APPL. BY: MARYLAND DEPARTMENT OF NATURAL RESOURCES
CITY OF CRISFIELD
EXISTING CONDITIONS & DEMOLITION PLAN

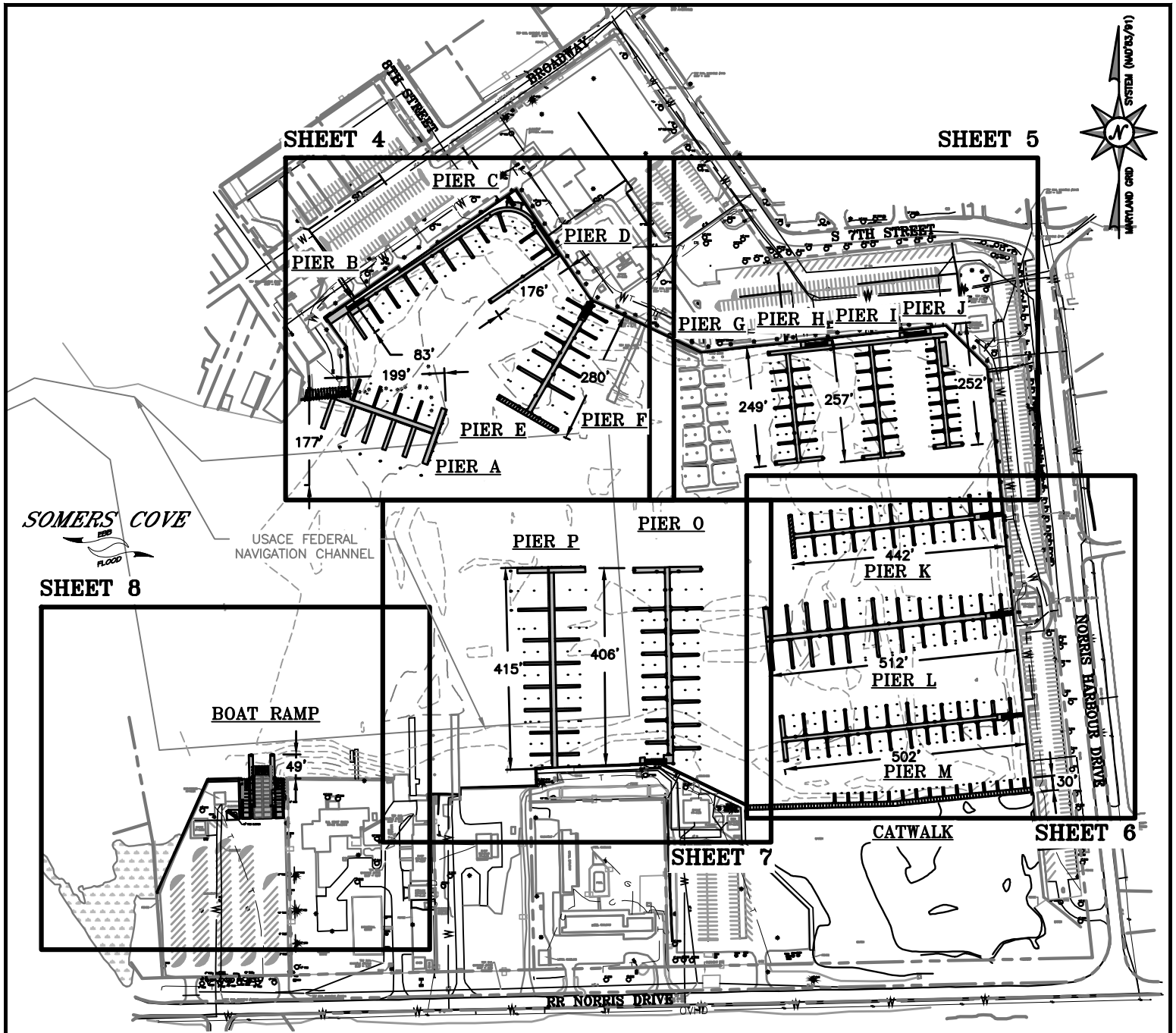
DATE: September 2023 SHEET 2 OF 17

NOTE:
BASEMAP TAKEN FROM AUGUST 2019
DEPARTMENT OF NATURAL RESOURCES
(DNR) SURVEY.



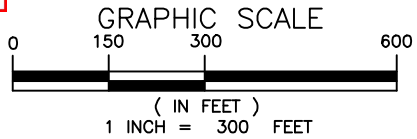
Bayland
Consultants & Designers, Inc.
"Integrating Engineering and Environment"

7455 New Ridge Road, Suite 1 Phone: (410) 694-9401
Hanover, Maryland 21076 Fax: (410) 694-9405
www.baylandinc.com



22-WL-0999 & 23-WQC-0015
 202261550
 AI-127599
 9/6/2023
 MPD

**REPLACEMENT OF BULKHEAD, STORM
 DRAINS, UTILITIES & BOAT RAMP
 AT
 SOMERS COVE MARINA
 SOMERSET COUNTY, MD**



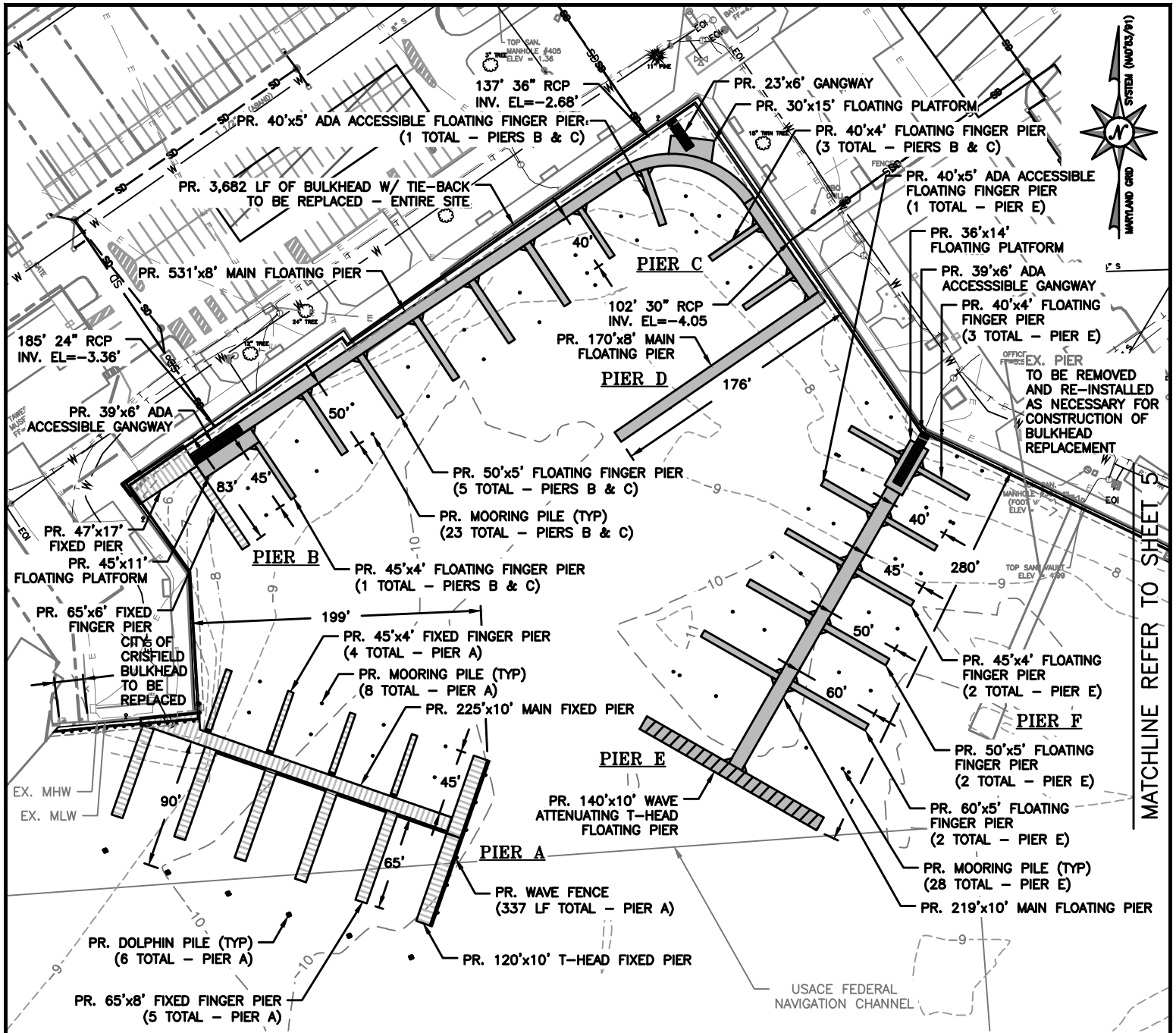
APPL. BY: MARYLAND DEPARTMENT OF NATURAL RESOURCES
 CITY OF CRISFIELD
KEY SHEET

NOTE:
 BASEMAP TAKEN FROM AUGUST 2019
 DEPARTMENT OF NATURAL RESOURCES
 (DNR) SURVEY.

DATE: September 2023 SHEET 3 OF 17


Consultants & Designers, Inc.
"Integrating Engineering and Environment"
 7455 New Ridge Road, Suite 1 Phone: (410) 694-9401
 Hanover, Maryland 21076 Fax: (410) 694-9405
 www.baylandinc.com

Z:\8_38201_SOMERS_COVE_MARINA_REPLC_BKHD5\CAD FILES\SHEET FILES\8_38201_JPA03.DWG

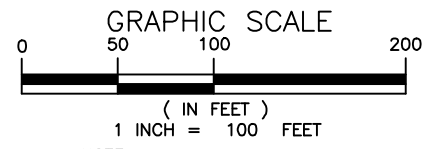


MATCHLINE REFER TO SHEET 5

22-WL-0999 & 23-WQC-0015
 202261550
 AI-127599
 9/6/2023
 MPD

HATCH LEGEND

- PR. FIXED PIER/PLATFORM
- PR. FLOATING PIER/PLATFORM
- PR. WAVE ATTENUATOR
- PR. GANGWAY



NOTE:
 BASEMAP TAKEN FROM AUGUST 2019
 DEPARTMENT OF NATURAL RESOURCES
 (DNR) SURVEY.

**REPLACEMENT OF BULKHEAD, STORM
 DRAINS, UTILITIES & BOAT RAMP
 AT
 SOMERS COVE MARINA
 SOMERSET COUNTY, MD**

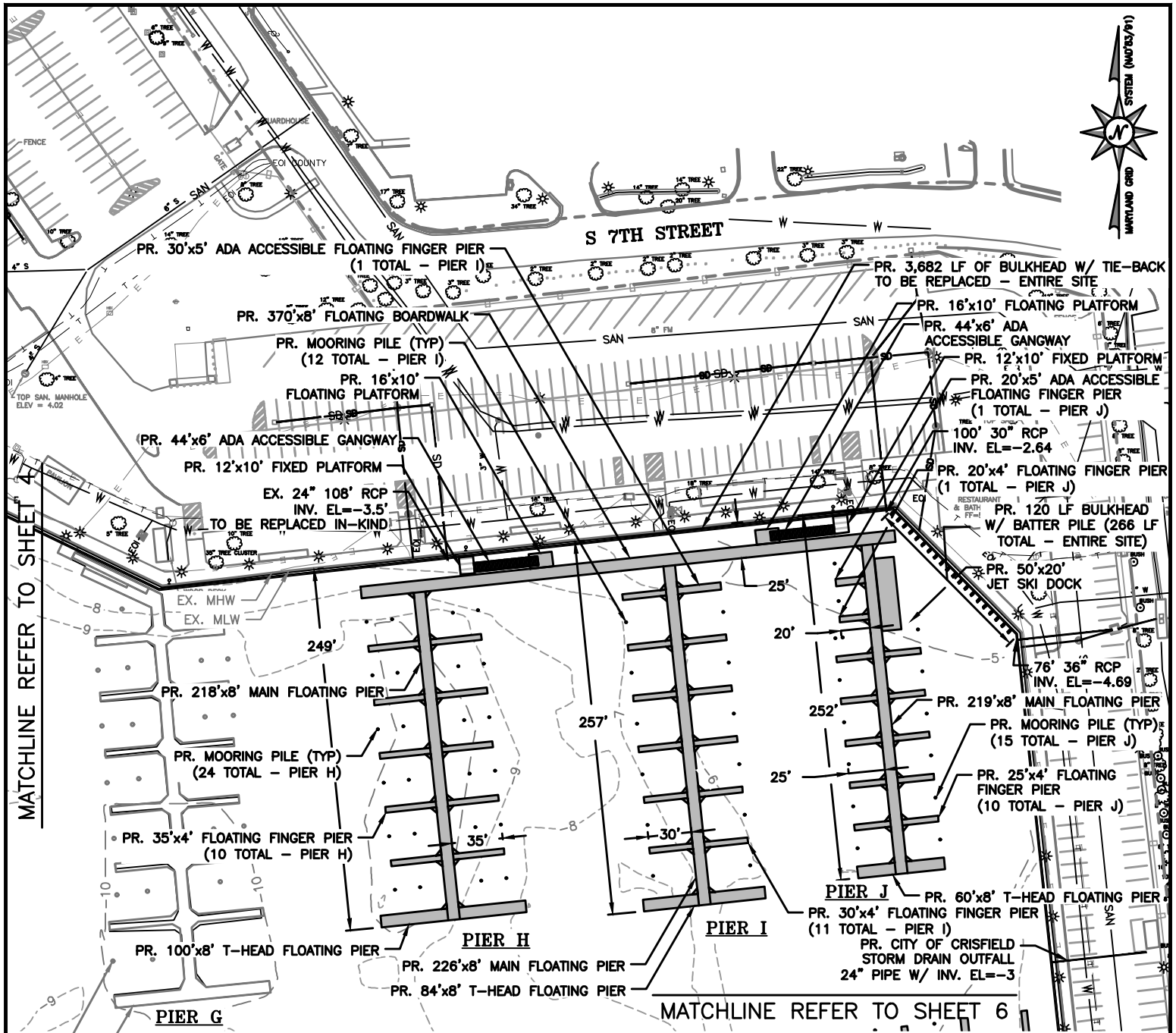
**APPL. BY: MARYLAND DEPARTMENT OF NATURAL RESOURCES
 CITY OF CRISFIELD
 SITE PLAN**

DATE: September 2023 SHEET 4 OF 17

Bayland
 Consultants & Designers, Inc.
"Integrating Engineering and Environment"

7455 New Ridge Road, Suite T Phone: (410) 694-9401
 Hanover, Maryland 21076 Fax: (410) 694-9405
 www.baylandinc.com

Z:\8_38201_SOMERS_COVE_MARINA_REPLC_BKHDR\CAD FILES\SHEET FILES\8_38201_JUPAQ4.DWG



MATCHLINE REFER TO SHEET 4

MATCHLINE REFER TO SHEET 6

22-WL-0999 & 23-WQC-0015

202261550

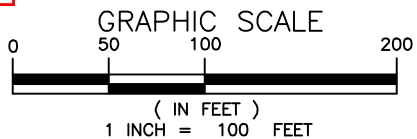
AI-127599

9/6/2023

MPD

HATCH LEGEND

	PR. FIXED PIER/PLATFORM
	PR. FLOATING PIER/PLATFORM
	PR. GANGWAY



NOTE:
BASEMAP TAKEN FROM AUGUST 2019
DEPARTMENT OF NATURAL RESOURCES
(DNR) SURVEY.

**REPLACEMENT OF BULKHEAD, STORM
DRAINS, UTILITIES & BOAT RAMP
AT
SOMERS COVE MARINA
SOMERSET COUNTY, MD**

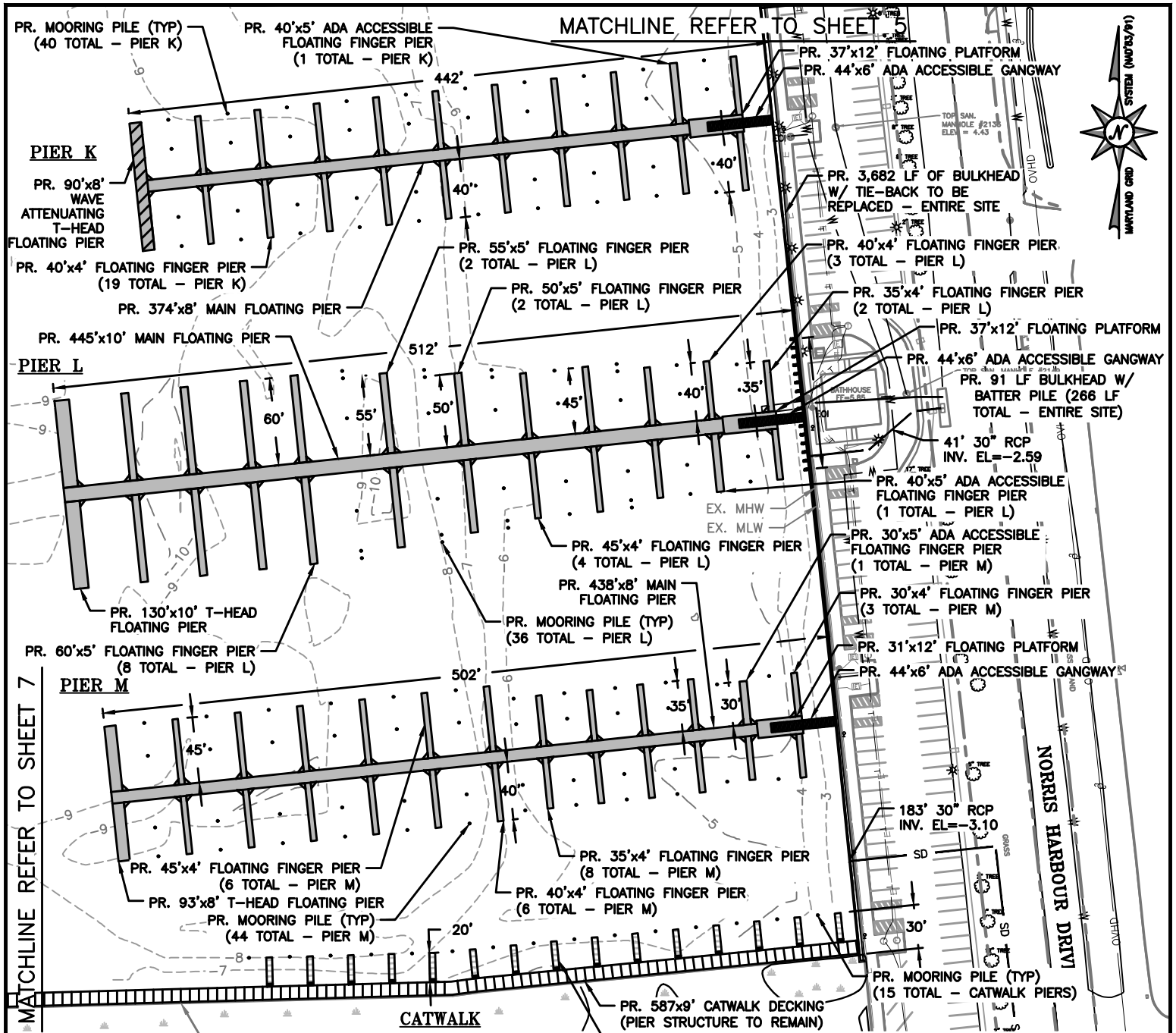
APPL. BY: MARYLAND DEPARTMENT OF NATURAL RESOURCES
CITY OF CRISFIELD
SITE PLAN

DATE: September 2023 SHEET 5 OF 17

Bayland
Consultants & Designers, Inc.
"Integrating Engineering and Environment"

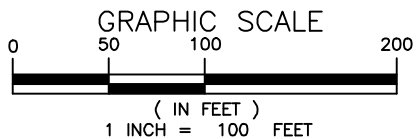
7455 New Ridge Road, Suite 1 Phone: (410) 694-9401
Hanover, Maryland 21076 Fax: (410) 694-9405
www.baylandinc.com

Z:\8_38201-SOMERS_COVE_MARINA_REPLC_BKHDRS\CAD_FILES\SHEET_FILES\8_38201_JPA05.DWG



HATCH LEGEND

- PR. FIXED PIER/PLATFORM
- PR. FLOATING PIER/PLATFORM
- PR. WAVE ATTENUATOR
- PR. GANGWAY



REPLACEMENT OF BULKHEAD, STORM DRAINS, UTILITIES & BOAT RAMP AT SOMERS COVE MARINA SOMERSET COUNTY, MD

22-WL-0999 & 23-WQC-0015
202261550
AI-127599
9/6/2023
MPD

APPL. BY: MARYLAND DEPARTMENT OF NATURAL RESOURCES
CITY OF CRISFIELD

SITE PLAN

DATE: September 2023 SHEET 6 OF 17

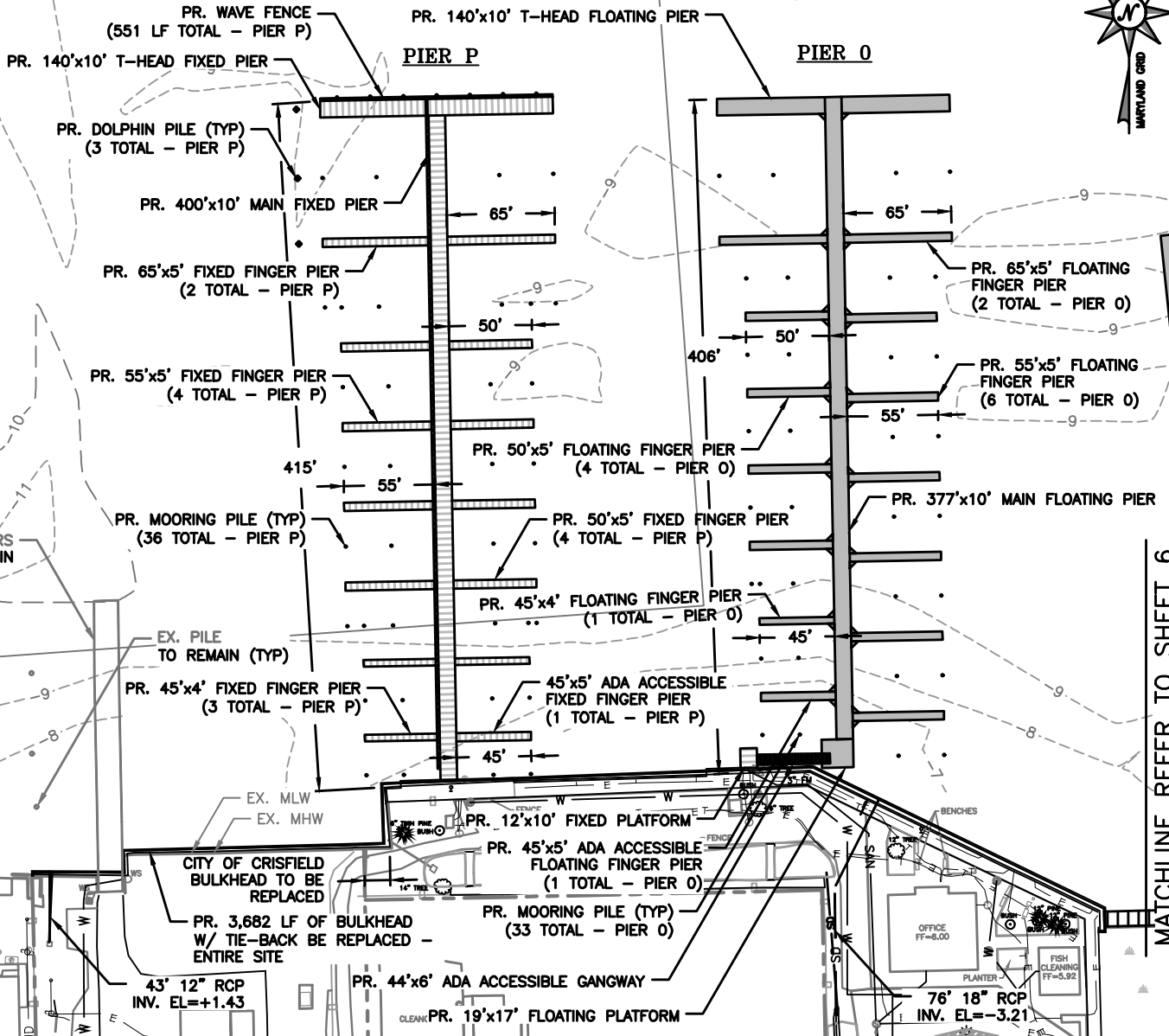
NOTE:
BASEMAP TAKEN FROM AUGUST 2019
DEPARTMENT OF NATURAL RESOURCES
(DNR) SURVEY.

Bayland
Consultants & Designers, Inc.
"Integrating Engineering and Environment"

7455 New Ridge Road, Suite 1 Phone: (410) 694-9401
Hanover, Maryland 21076 Fax: (410) 694-9405
www.baylandinc.com

Z:\B_38201-SOMERS_COVE_MARINA_REPLC_BKHDRS\CAD_FILES\SHEET_FILES\B_38201_JIPAO6.DWG

USACE FEDERAL NAVIGATION CHANNEL



HATCH LEGEND

- PR. FIXED PIER/PLATFORM
- PR. FLOATING PIER/PLATFORM
- PR. GANGWAY

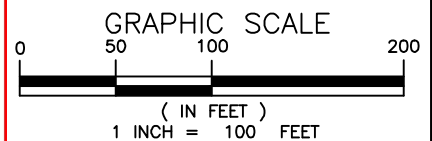
REPLACEMENT OF BULKHEAD, STORM DRAINS, UTILITIES & BOAT RAMP AT SOMERS COVE MARINA SOMERSET COUNTY, MD

APPL. BY: MARYLAND DEPARTMENT OF NATURAL RESOURCES
CITY OF CRISFIELD

SITE PLAN

DATE: September 2023 SHEET 7 OF 17

22-WL-0999 & 23-WQC-0015
202261550
AI-127599
9/6/2023
MPD



NOTE:
BASEMAP TAKEN FROM AUGUST 2019 DEPARTMENT OF NATURAL RESOURCES (DNR) SURVEY.

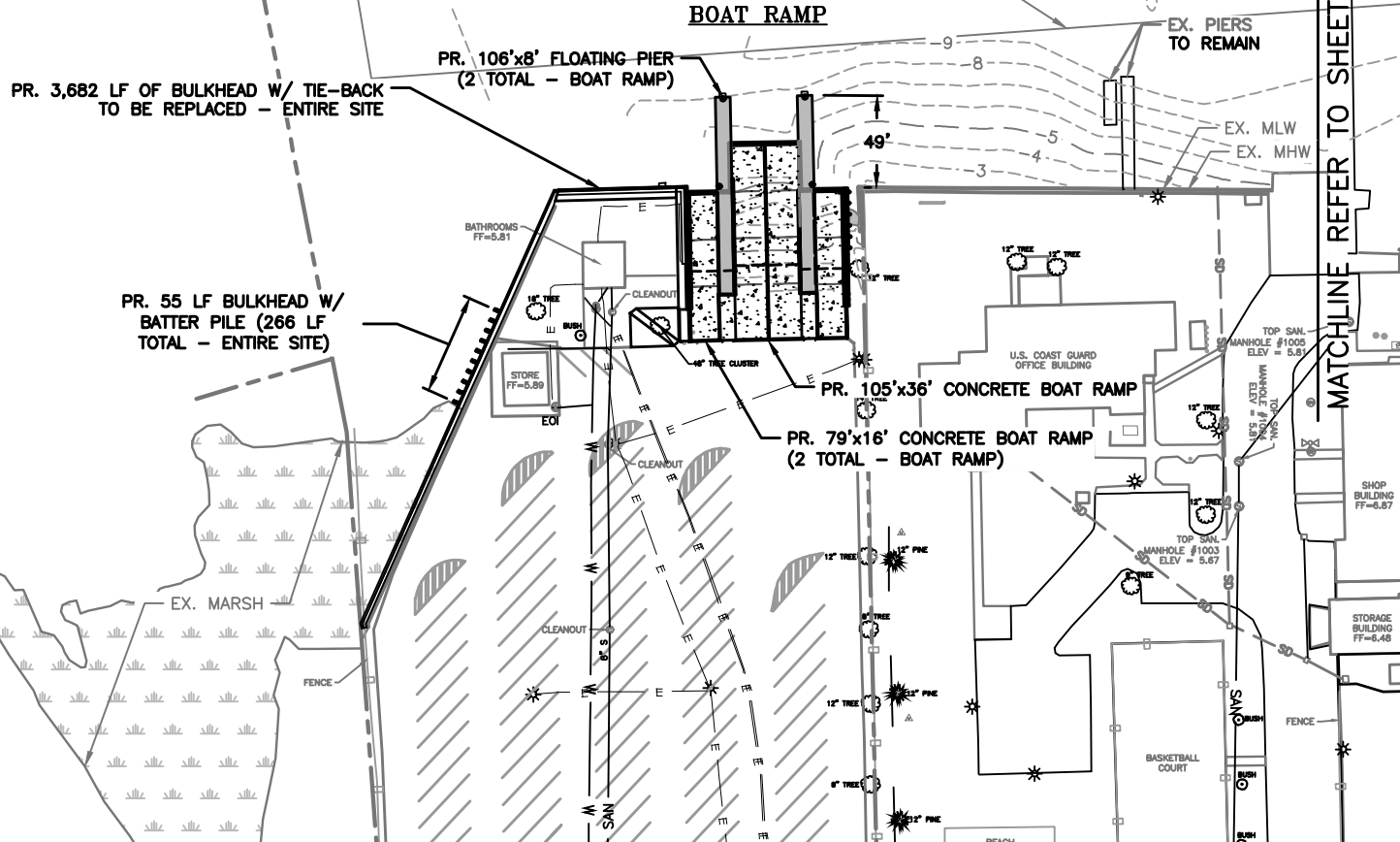
Bayland
Consultants & Designers, Inc.
"Integrating Engineering and Environment"

7455 New Ridge Road, Suite 1 Phone: (410) 694-9401
Hanover, Maryland 21076 Fax: (410) 694-9405
www.baylandinc.com

Z:\B_38201_SOMERS_COVE_MARINA_REPLC_BKHDRS\CAD FILES\SHEET FILES\B_38201_JPA07.DWG



USACE FEDERAL NAVIGATION CHANNEL



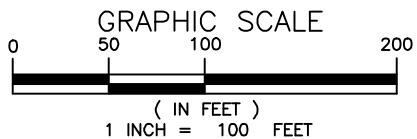
MATCHLINE REFER TO SHEET 7

HATCH LEGEND

- PR. FLOATING PIER
- PR. CONCRETE BOAT RAMP

22-WL-0999 & 23-WQC-0015
202261550
AI-127599
9/6/2023
MPD

REPLACEMENT OF BULKHEAD, STORM DRAINS, UTILITIES & BOAT RAMP AT SOMERS COVE MARINA SOMERSET COUNTY, MD



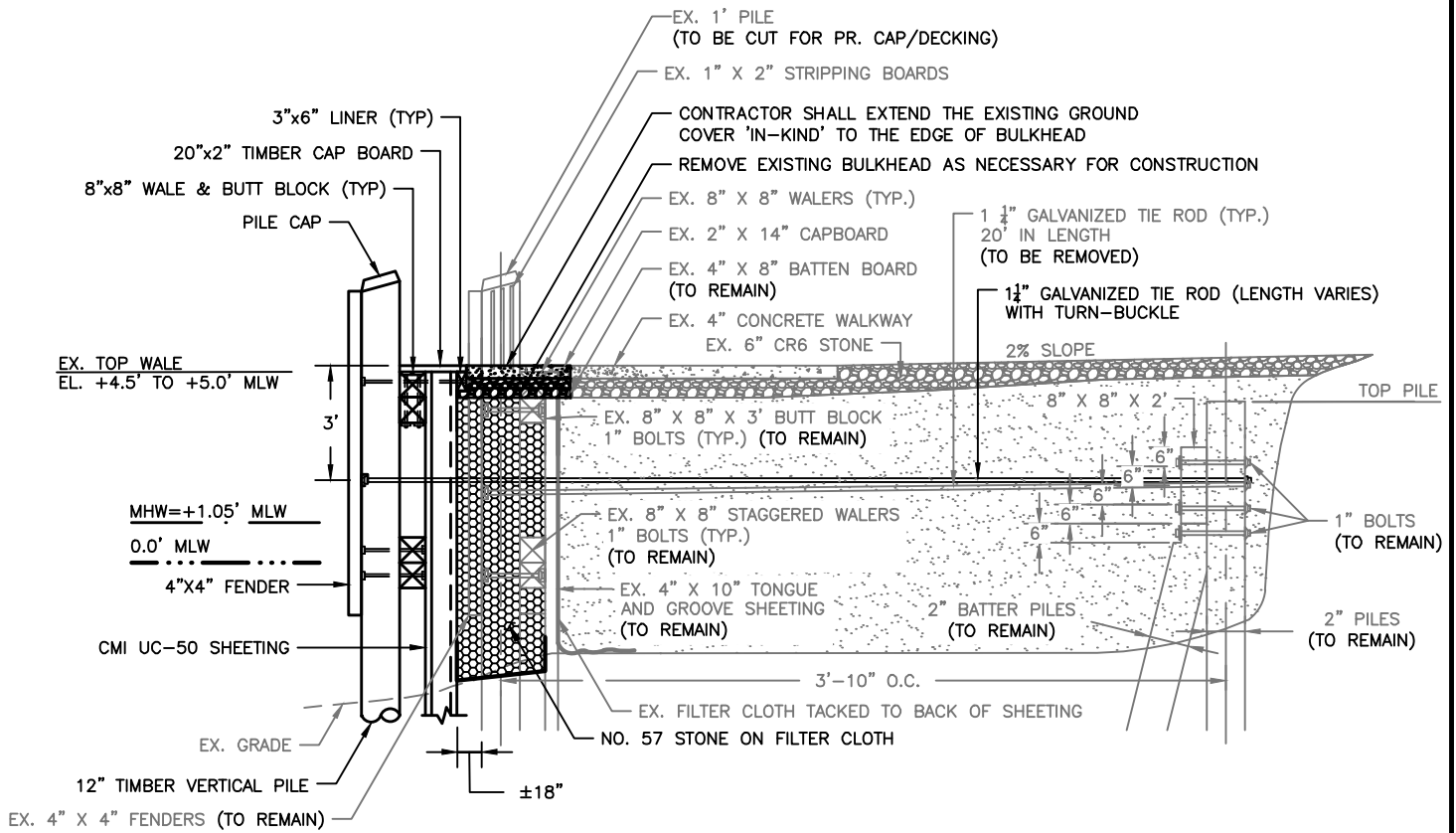
NOTE:
BASEMAP TAKEN FROM AUGUST 2019 DEPARTMENT OF NATURAL RESOURCES (DNR) SURVEY.

APPL. BY: MARYLAND DEPARTMENT OF NATURAL RESOURCES
CITY OF CRISFIELD
SITE PLAN

DATE: September 2023 SHEET 8 OF 17

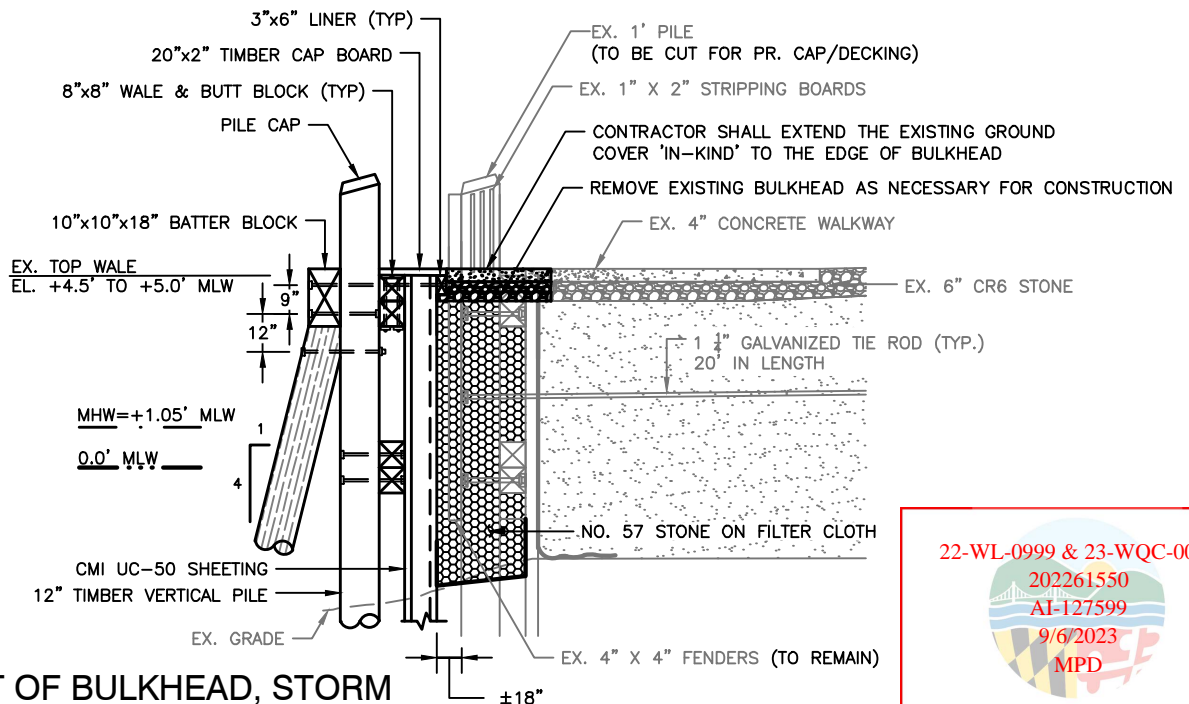
7455 New Ridge Road, Suite 1 Phone: (410) 694-9401
Hanover, Maryland 21076 Fax: (410) 694-9405
www.baylandinc.com

Z:\8_38201-SOMERS_COVE_MARINA_REPLC_BKHDRS\CAD FILES\SHEET FILES\8_38201_JIPAOB.DWG



TYPICAL BULKHEAD WITH TIE-BACK REPLACEMENT DETAIL

SCALE: NTS



TYPICAL BULKHEAD BATTER PILE DETAIL

SCALE: NTS

**REPLACEMENT OF BULKHEAD, STORM
DRAINS, UTILITIES & BOAT RAMP
AT
SOMERS COVE MARINA
SOMERSET COUNTY, MD**

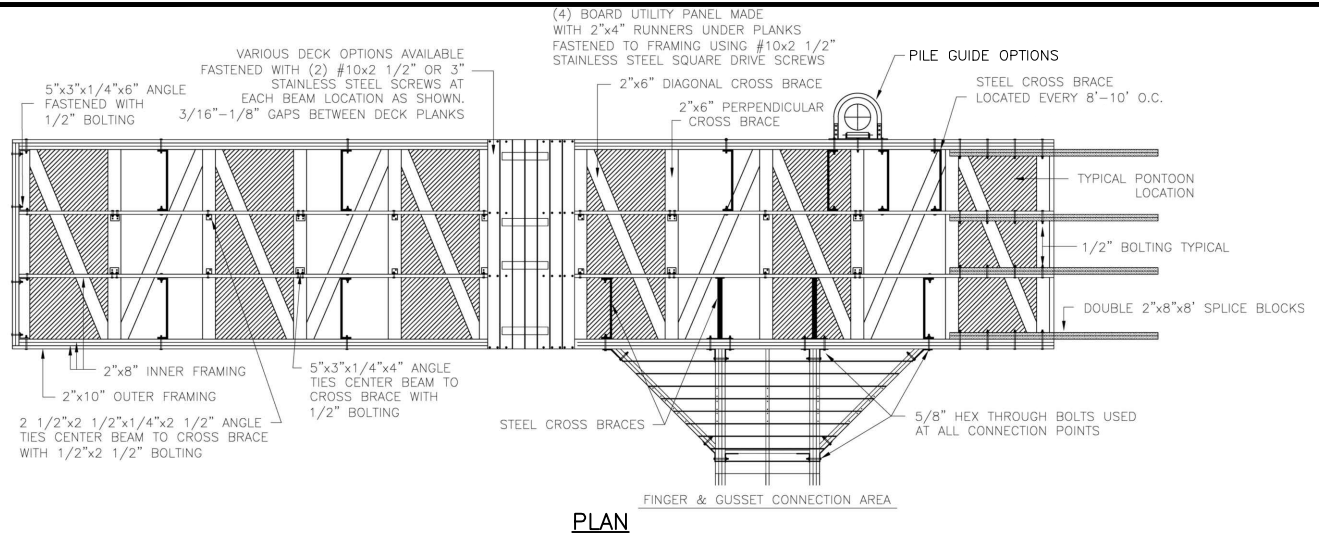
22-WL-0999 & 23-WQC-0015
202261550
AI-127599
9/6/2023
MPD

APPL. BY: MARYLAND DEPARTMENT OF NATURAL RESOURCES
CITY OF CRISFIELD
SITE DETAILS

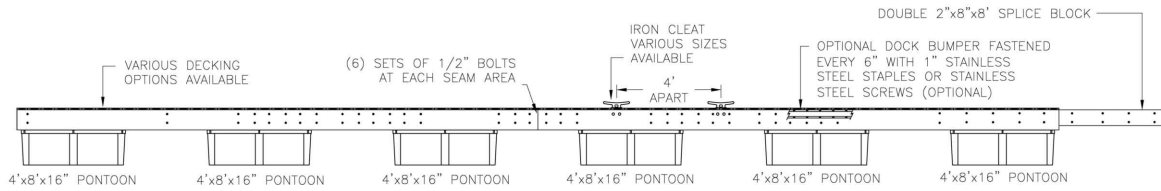
DATE: September 2023 SHEET 9 OF 17

Bayland
Consultants & Designers, Inc.
"Integrating Engineering and Environment"
7455 New Ridge Road, Suite 1 Phone: (410) 694-9401
Hanover, Maryland 21076 Fax: (410) 694-9405
www.baylandinc.com

Z:\8_38201_SOMERS_COVE_MARINA_REPLC_BKHDRS\CAD FILES\SHEET FILES\8_38201_JPA12.DWG



PLAN

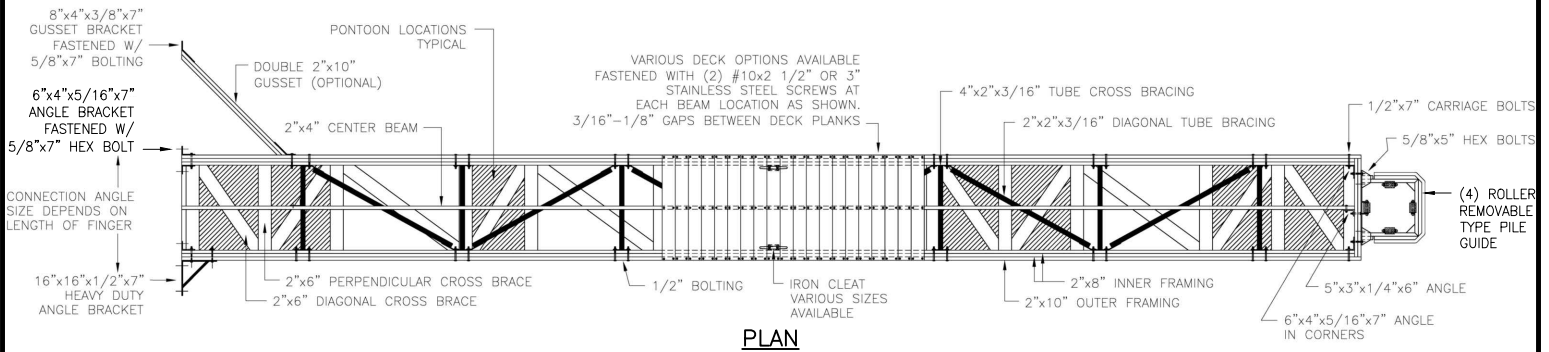


SECTION

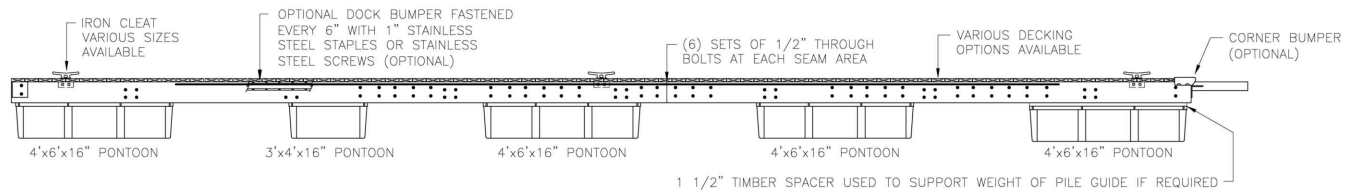
TYPICAL 8' AND 10' MAIN DOCK

SCALE: NTS

NOTE: ALL MAIN WALKWAY SECTIONS BUILT USING SAME CONSTRUCTION



PLAN



SECTION

TYPICAL 4' AND 5' FINGER PIER

SCALE: NTS

NOTE: ALL FINGER PIER SECTIONS BUILT USING SAME CONSTRUCTION

REPLACEMENT OF BULKHEAD, STORM
DRAINS, UTILITIES & BOAT RAMP
AT
SOMERS COVE MARINA
SOMERSET COUNTY, MD

22-WL-0999 & 23-WQC-0015

202261550

AI-127599

9/6/2023

MPD

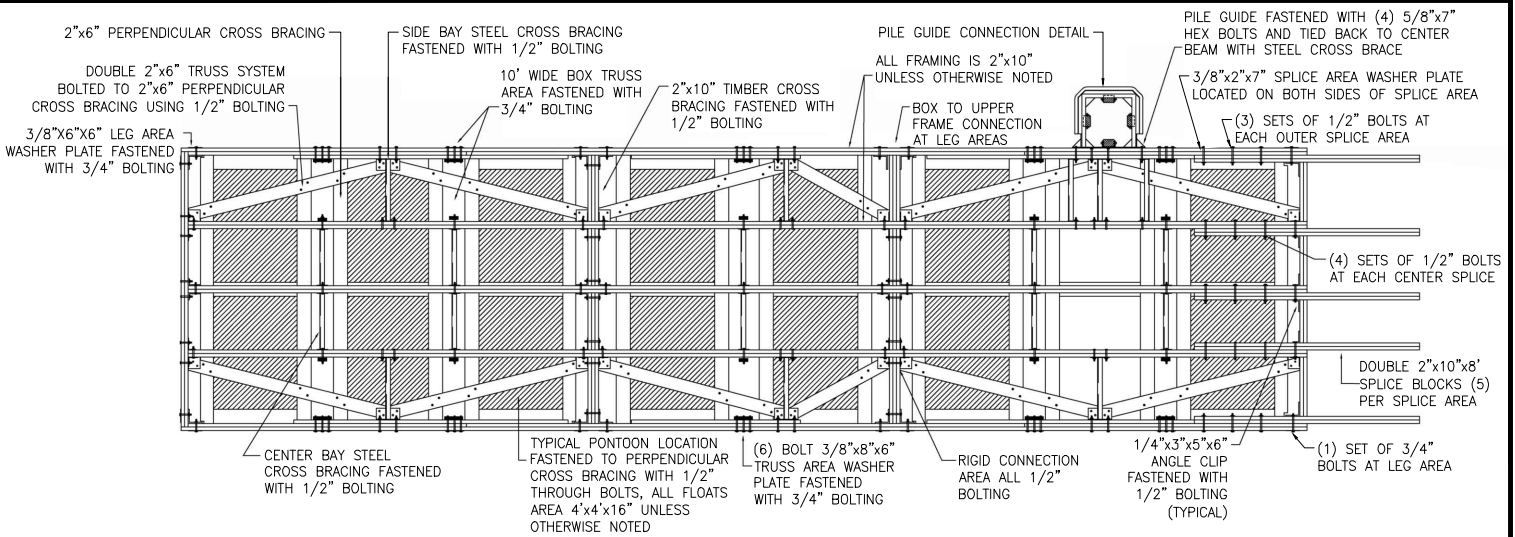
APPL. BY: MARYLAND DEPARTMENT OF NATURAL RESOURCES
CITY OF CRISFIELD

SITE DETAILS

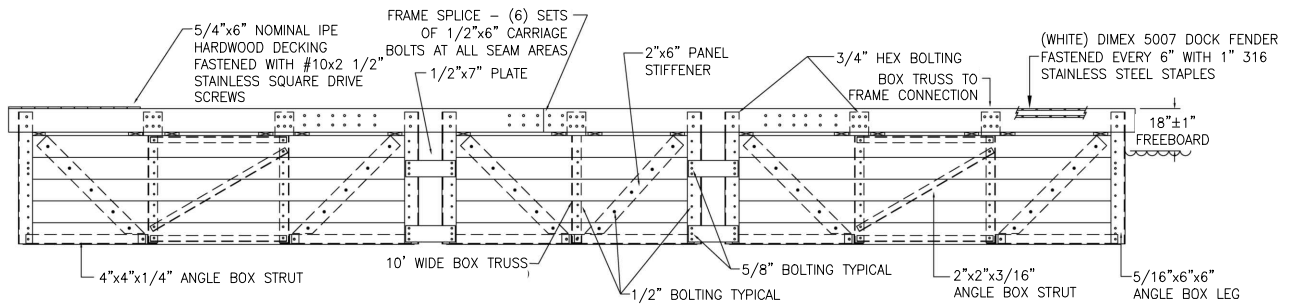
DATE: September 2023 SHEET 10 OF 17

Bayland
Consultants & Designers, Inc.
"Integrating Engineering and Environment"

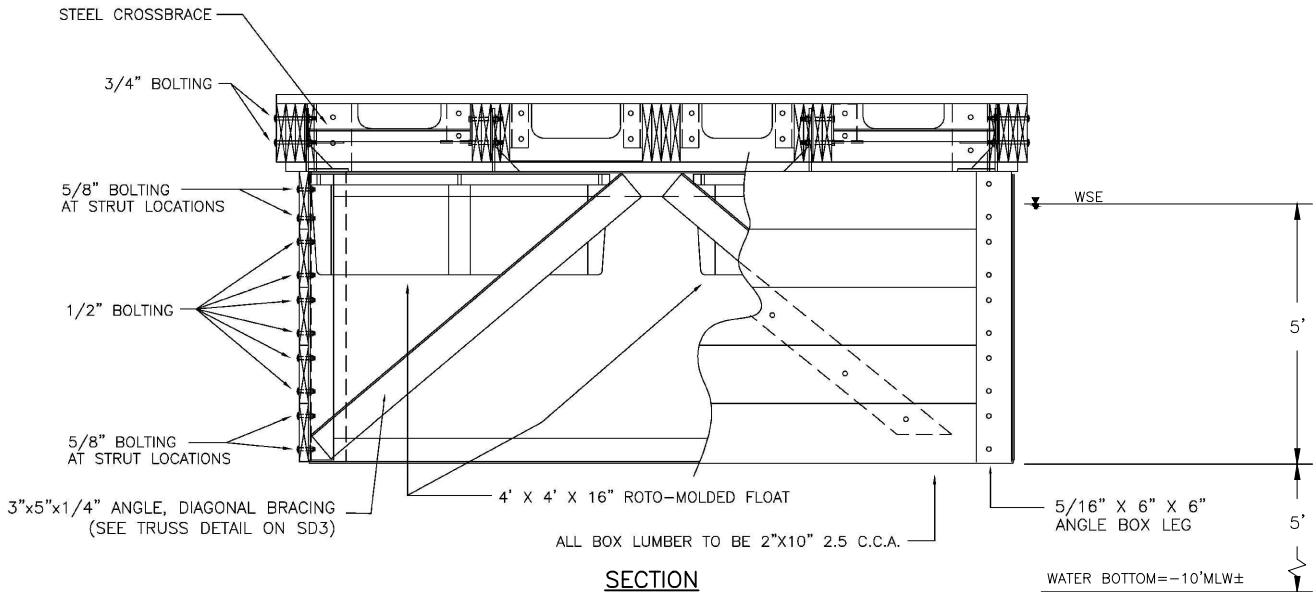
7455 New Ridge Road, Suite 1 Phone: (410) 694-9401
Hanover, Maryland 21076 Fax: (410) 694-9405
www.baylandinc.com



PLAN



PROFILE



SECTION

TYPICAL WAVE ATTENUATOR

SCALE: NTS

REPLACEMENT OF BULKHEAD, STORM DRAINS, UTILITIES & BOAT RAMP AT SOMERS COVE MARINA SOMERSET COUNTY, MD

APPL. BY: MARYLAND DEPARTMENT OF NATURAL RESOURCES CITY OF CRISFIELD SITE DETAILS

DATE: September 2023 SHEET 11 OF 17

22-WL-0999 & 23-WQC-0015

202261550

AI-127599

9/6/2023

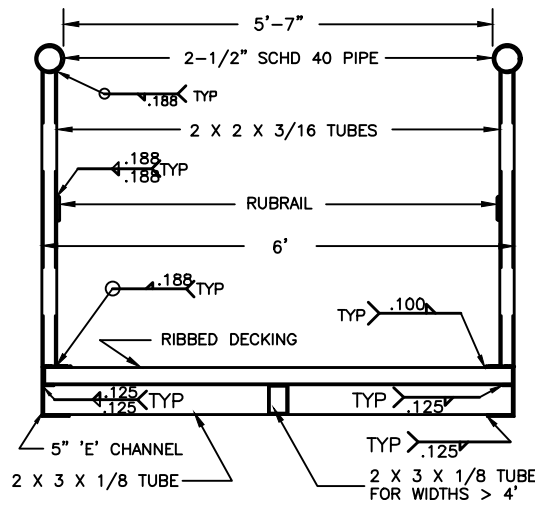
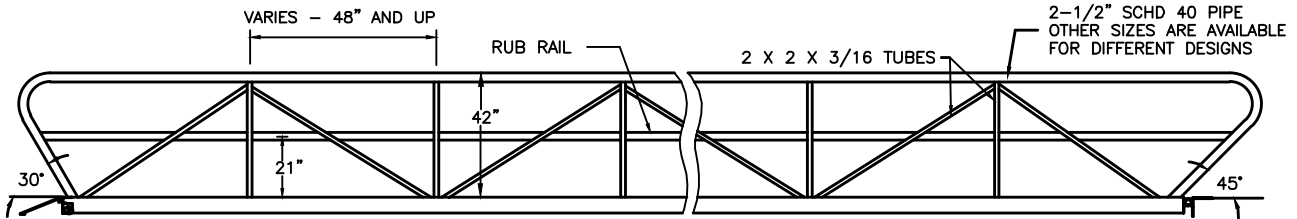
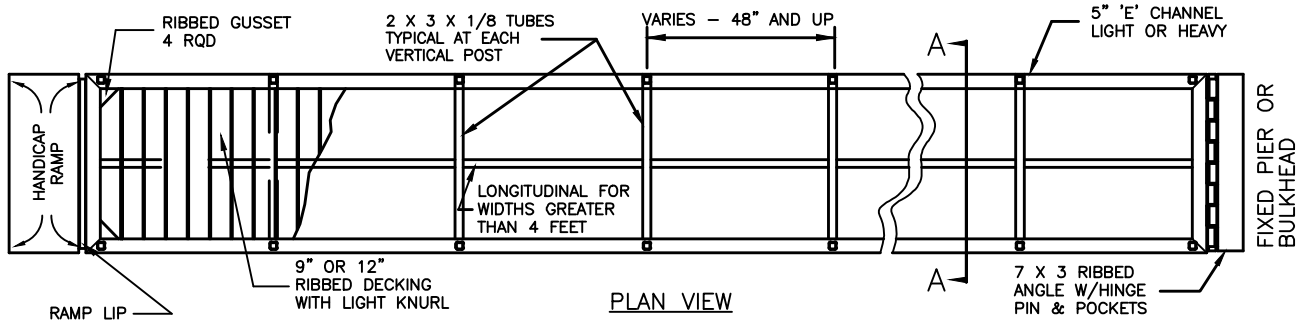
MPD



Bayland Consultants & Designers, Inc.

"Integrating Engineering and Environment"

7455 New Ridge Road, Suite 1 Phone: (410) 694-9401
Hanover, Maryland 21076 Fax: (410) 694-9405
www.baylandinc.com



SECTION A-A
TYPICAL GANGWAY DETAILS
 SCALE: NTS

REPLACEMENT OF BULKHEAD, STORM
 DRAINS, UTILITIES & BOAT RAMP
 AT
 SOMERS COVE MARINA
 SOMERSET COUNTY, MD

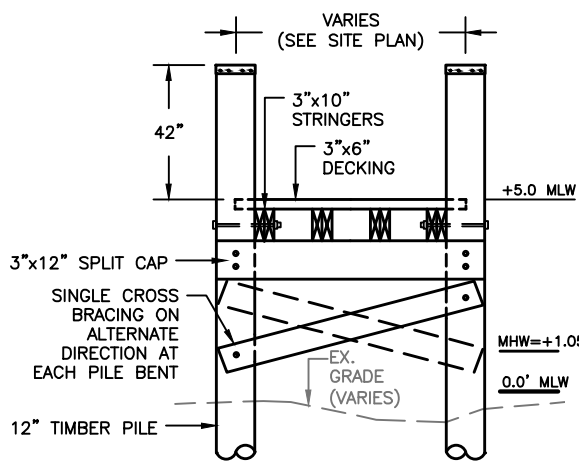
APPL. BY: MARYLAND DEPARTMENT OF NATURAL RESOURCES
 CITY OF CRISFIELD
SITE DETAILS

DATE: September 2023 SHEET 12 OF 17

22-WL-0999 & 23-WQC-0015

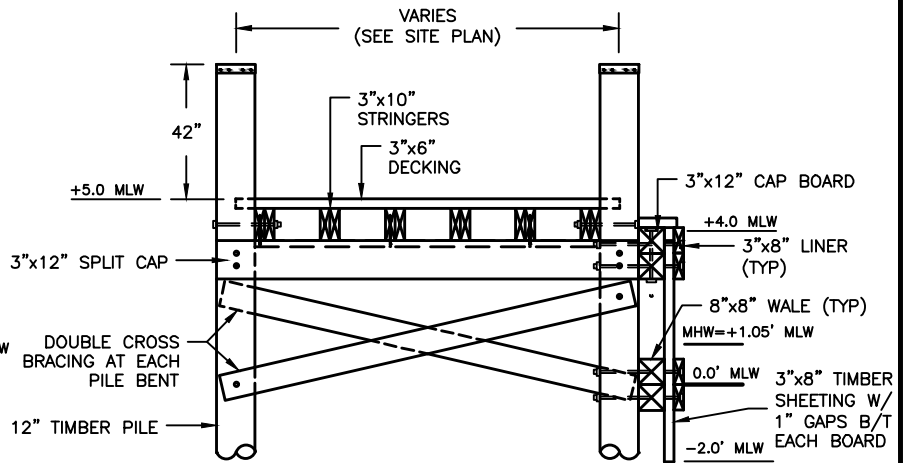


Bayland
 Consultants & Designers, Inc.
"Integrating Engineering and Environment"
 7455 New Ridge Road, Suite 1 Phone: (410) 694-9401
 Hanover, Maryland 21076 Fax: (410) 694-9405
 www.baylandinc.com



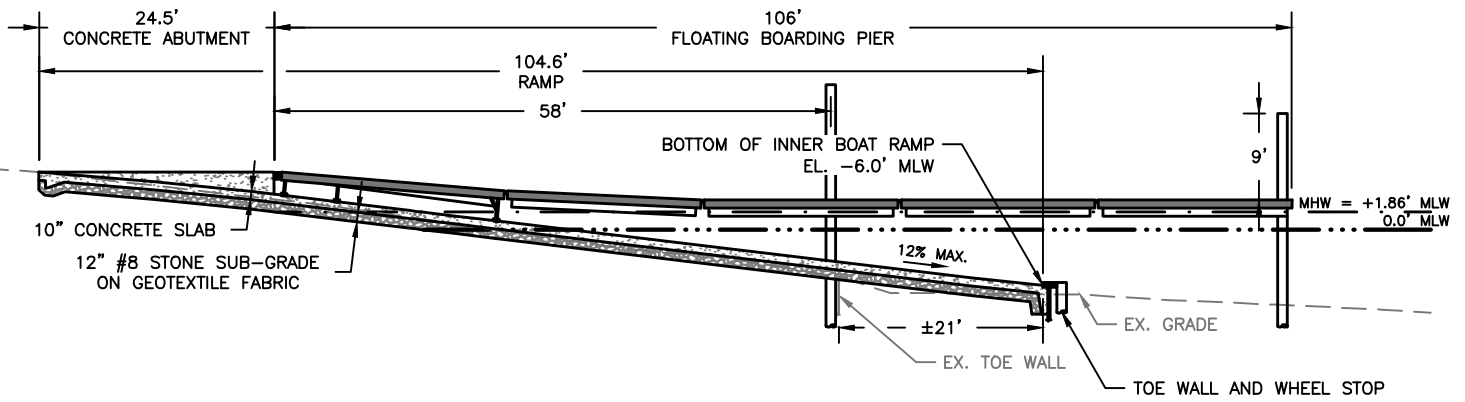
**TYPICAL FIXED FINGER
PIER CROSS SECTION**

SCALE: NTS

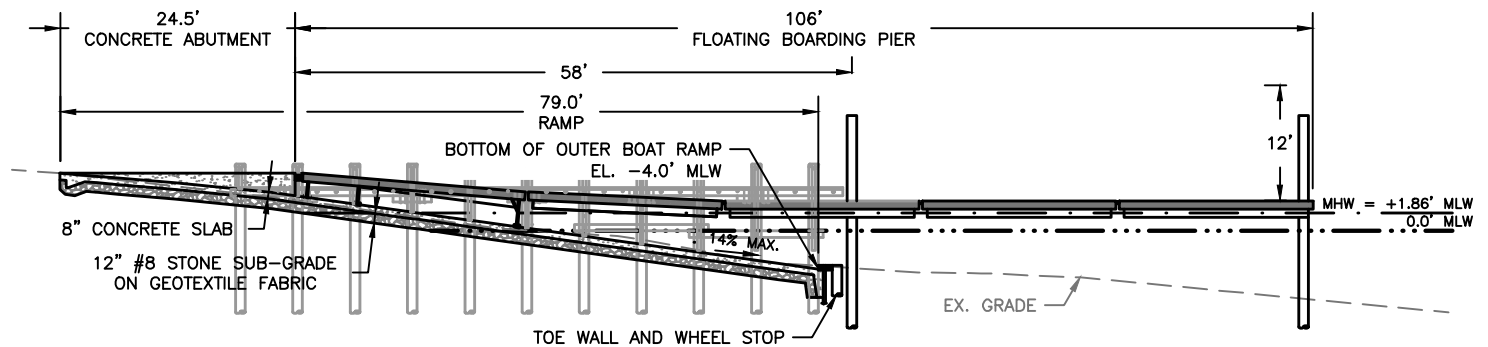


**TYPICAL FIXED MAIN PIER AND
WAVE FENCE CROSS SECTION**

SCALE: NTS



INNER LAUNCH



OUTER LAUNCH

BOAT RAMP PROFILE

SCALE: NTS

**REPLACEMENT OF BULKHEAD, STORM
DRAINS, UTILITIES & BOAT RAMP
AT
SOMERS COVE MARINA
SOMERSET COUNTY, MD**

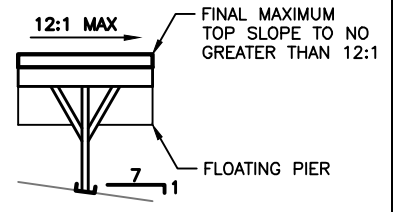
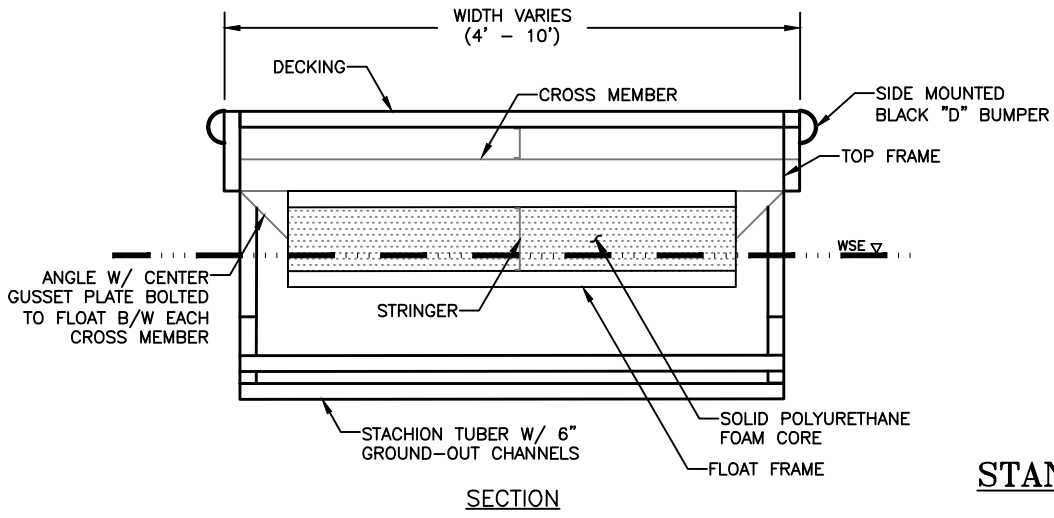
22-WL-0999 & 23-WQC-0015
202261550
AI-127599
9/6/2023
MPD

APPL. BY: MARYLAND DEPARTMENT OF NATURAL RESOURCES
CITY OF CRISFIELD
SITE DETAILS

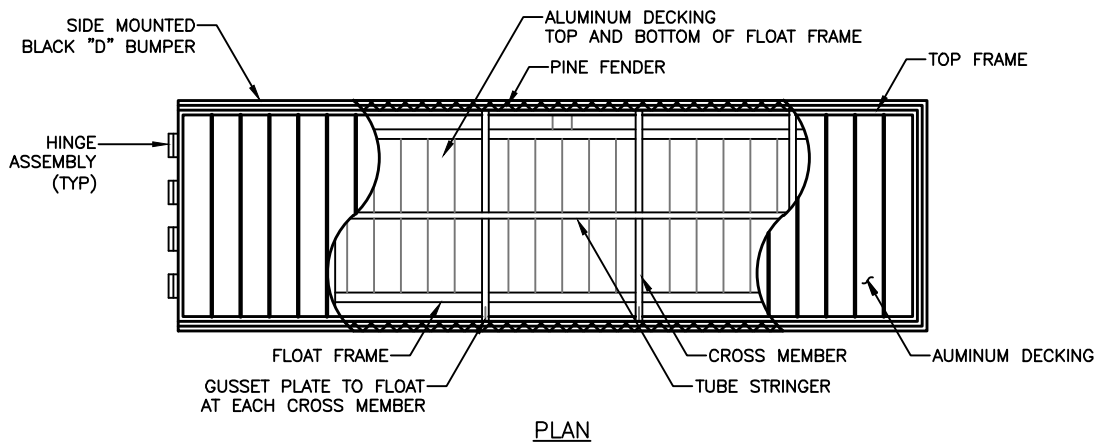
DATE: September 2023 SHEET 13 OF 17

Bayland
Consultants & Designers, Inc.
"Integrating Engineering and Environment"
7455 New Ridge Road, Suite 1 Phone: (410) 694-9401
Hanover, Maryland 21076 Fax: (410) 694-9405
www.baylandinc.com

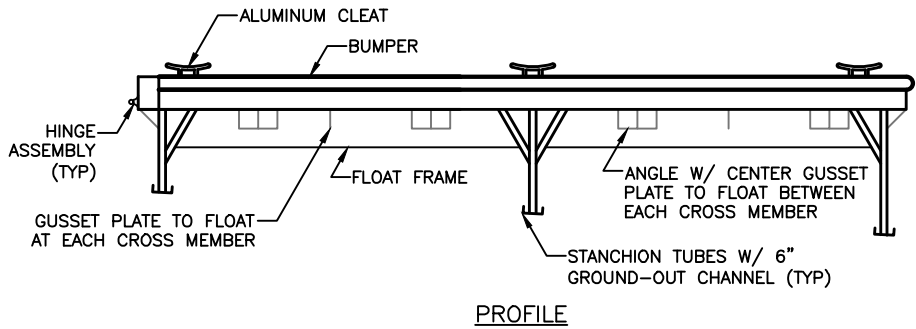
Z:\B_38201_SOMERS_COVE_MARINA_REPLC_BKHDSD\CAD FILES\SHEET FILES\B_38201_JUPA11.DWG



TYPICAL STANCHION DETAIL
SCALE: NTS



PLAN



PROFILE

TYPICAL BOAT RAMP FLOATING PIER DETAILS
SCALE: NTS

REPLACEMENT OF BULKHEAD, STORM DRAINS, UTILITIES & BOAT RAMP AT SOMERS COVE MARINA SOMERSET COUNTY, MD

APPL. BY: MARYLAND DEPARTMENT OF NATURAL RESOURCES
CITY OF CRISFIELD
SITE DETAILS

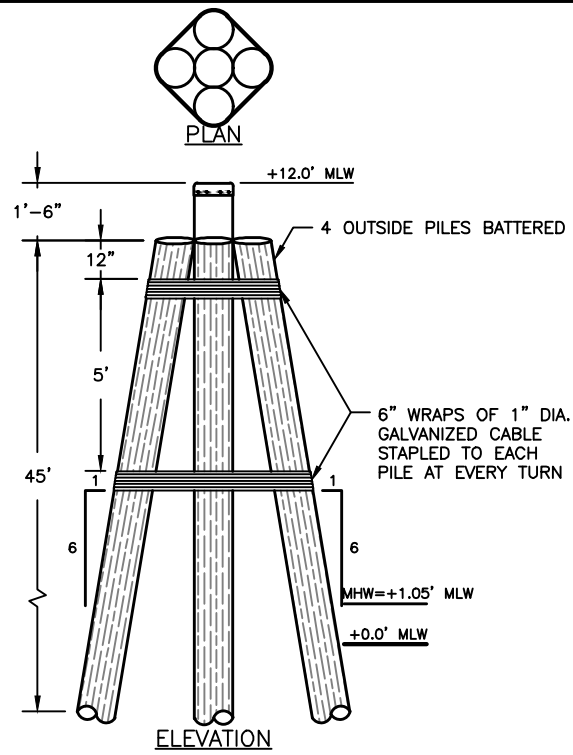
DATE: September 2023 SHEET 14 OF 17

22-WL-0999 & 23-WQC-0015
202261550
AI-127599
9/6/2023
MPD

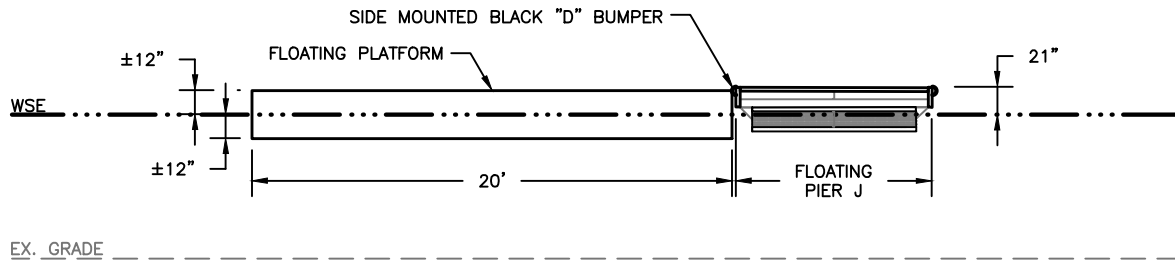
Bayland
Consultants & Designers, Inc.
"Integrating Engineering and Environment"
7455 New Ridge Road, Suite 1 Phone: (410) 694-9401
Hanover, Maryland 21076 Fax: (410) 694-9405
www.baylandinc.com

Z:\8_38201_SOMERS_COVE_MARINA_REPLC_BKHDRS\CAD FILES\SHEET FILES\8_38201_JPA09.DWG

22-WL-0999 & 23-WQC-0015
 202261550
 AI-127599
 9/6/2023
 MPD

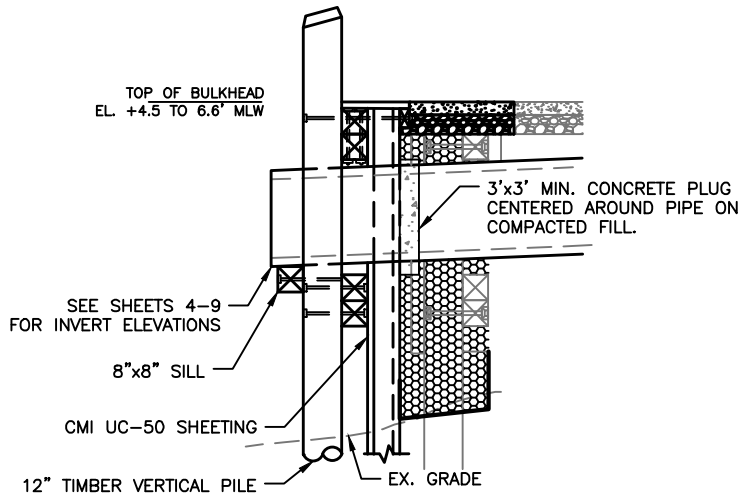


DOLPHIN PILE DETAIL
 SCALE: NTS



JET SKI DOCK SECTION AT PIER J
 SCALE: NTS

REPLACEMENT OF BULKHEAD, STORM
 DRAINS, UTILITIES & BOAT RAMP
 AT
 SOMERS COVE MARINA
 SOMERSET COUNTY, MD



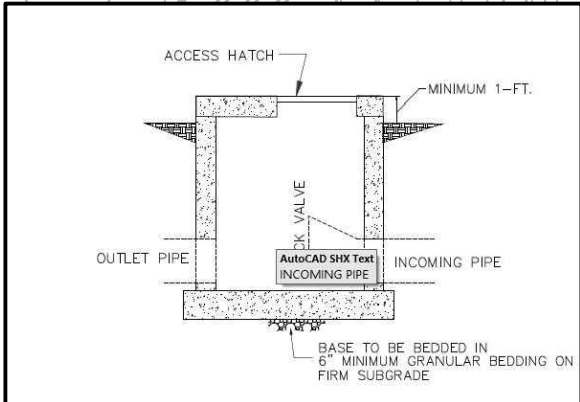
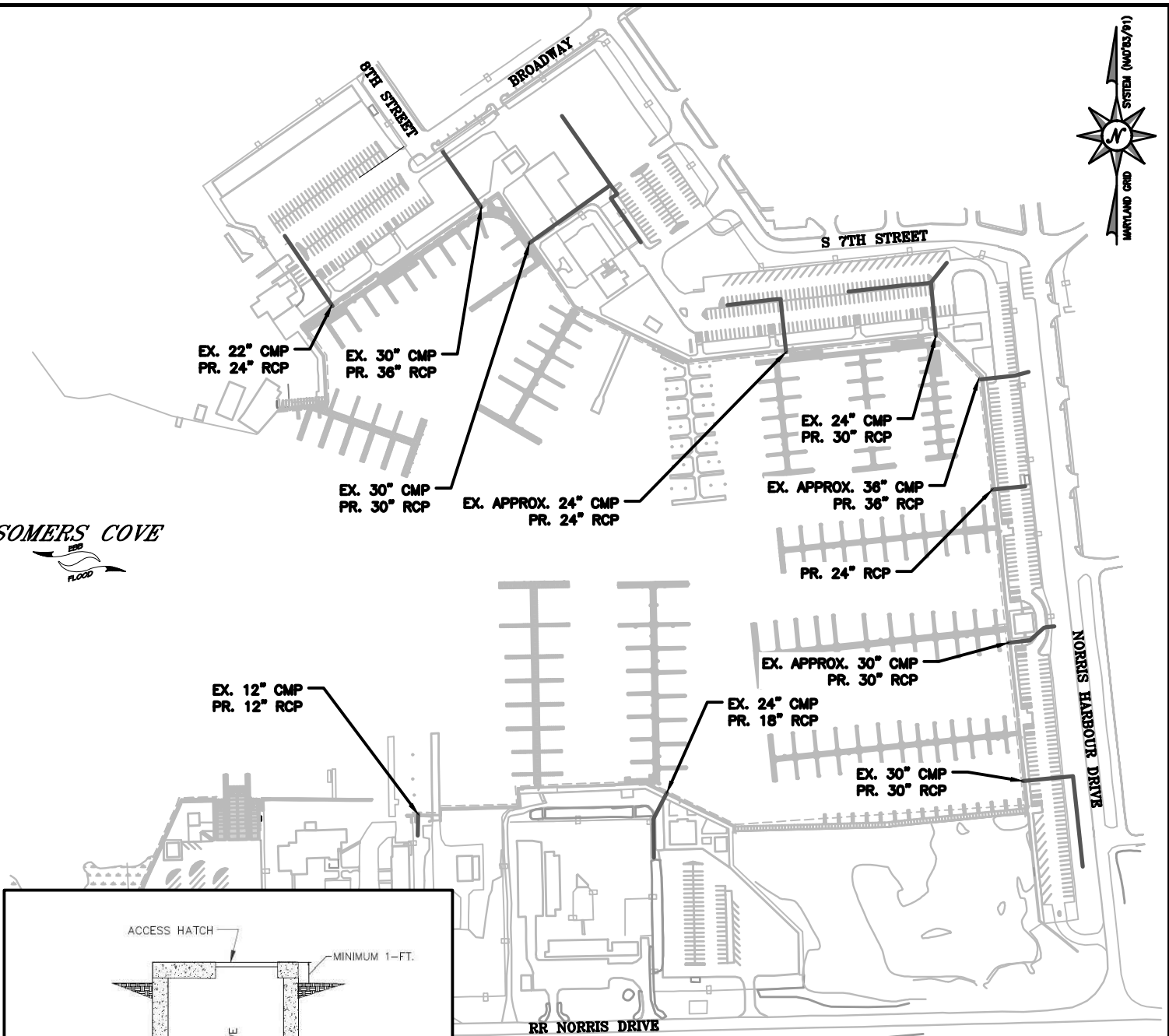
TYPICAL DRAIN OUTLET DETAIL
 SCALE: 1" = 5'

APPL. BY: MARYLAND DEPARTMENT OF NATURAL RESOURCES
 CITY OF CRISFIELD
SITE DETAILS

DATE: September 2023 SHEET 15 OF 17

Bayland
 Consultants & Designers, Inc.
"Integrating Engineering and Environment"
 7455 New Ridge Road, Suite 1 Phone: (410) 694-9401
 Hanover, Maryland 21076 Fax: (410) 694-9405
 www.baylandinc.com

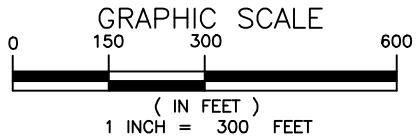
Z:\8_38201_SOMERS_COVE_MARINA_REPLC_BKHDRS\CAD FILES\SHEET FILES\8_38201_JPA15.DWG



TIDE VALVE (TYP)
NTS

22-WL-0999 & 23-WQC-0015
202261550
A1-127599
9/6/2023
MPD

**REPLACEMENT OF BULKHEAD, STORM
DRAINS, UTILITIES & BOAT RAMP
AT
SOMERS COVE MARINA
SOMERSET COUNTY, MD**



APPL. BY: MARYLAND DEPARTMENT OF NATURAL RESOURCES
CITY OF CRISFIELD
OUTFALLS MAP

NOTE:
BASEMAP TAKEN FROM AUGUST 2019
DEPARTMENT OF NATURAL RESOURCES
(DNR) SURVEY.

7455 New Ridge Road, Suite 1 Phone: (410) 694-9401
Hanover, Maryland 21076 Fax: (410) 694-9405
www.baylandinc.com

Z:\8_38201_SOMERS_COVE_MARINA_REPLC_BKHDR\CAD FILES\SHEET FILES\8_38201_JUPA17.DWG

PROJECT SUMMARY

NOTES

AREA OF EX. STRUCTURES OVER THE WATER TO BE REMOVED/REPLACED

PIER: 61,659 SF MOORING PILES: 604
 CATWALK: 5,895 SF DOLPHIN PILES: 4
 BOAT RAMP: 7,824 SF STORM DRAIN OUTFALL: 10

- BATHYMETRIC SURVEY PERFORMED BY DEPARTMENT OF NATURAL RESOURCES (DNR) IN AUGUST 2019.
- CONTOURS ARE IN FEET AND REFER TO MLW.
- TIDAL RANGE ~1.8 FEET.
- THESE ARE PERMIT DRAWINGS ONLY AND SUBJECT TO CHANGE DURING THE PERMIT PROCESS. DESIGN DRAWINGS ARE TO BE PREPARED SEPARATELY.

AREA OF PR. STRUCTURES OVER THE WATER TO BE CONSTRUCTED

18" BULKHEAD - 5,922 SF (3,948 LF) TOTAL
 TIE-BACK BULKHEAD (3,682'x1.5') - 5,523 SF
 BATTER PILE WALL (266'x1.5) - 399 SF

PIER A:
 12" TIMBER WAVE FENCE (337'x1.0') - 337 SF
 10' WIDE MAIN FIXED TIMBER PIER (225'x10') - 2,250 SF
 10' WIDE T-HEAD FIXED PIER (120'x10') - 1,200 SF
 (5) 65' FIXED FINGER PIER (65'x8') - 2,600 SF
 (4) 45' FIXED FINGER PIER (45'x4') - 720 SF

TOTAL "PIER A" FOOTPRINT - 7,107 SF

MOORING PILE - 8
 DOLPHIN PILE - 6

PIER B & C:
 17' WIDE FIXED PIER (47'x17') - 799 SF
 8' WIDE MAIN FLOATING PIER (531'x8') - 4,248 SF
 11' WIDE FLOATING PLATFORM (45'x11') - 495 SF
 15' WIDE FLOATING PLATFORM (30'x15') - 450 SF
 (1) 65' FIXED FINGER PIER (65'x6') - 390 SF
 (5) 50' FLOATING FINGER PIER (50'x5') - 1,250 SF
 (1) 45' FLOATING FINGER PIER (45'x4') - 180 SF
 (3) 40' FLOATING FINGER PIER (40'x4') - 480 SF
 (1) 40' ADA FLOATING FINGER PIER (40'x5') - 200 SF

TOTAL "PIER B & C" FOOTPRINT - 8,492 SF

MOORING PILE - 23
 NON-ADA ACCESSIBLE GANGWAY (23'x6') - 138 SF
 ADA-ACCESSIBLE GANGWAY (39'x6') - 234 SF

PIER D:
 8' WIDE FLOATING PIER (170'x8') - 1,360 SF

PIER E:
 14' WIDE FLOATING PLATFORM (36'x14') - 504 SF
 10' WIDE MAIN FLOATING PIER (219'x10') - 2,190 SF
 10' WIDE T-HEAD FLOATING PIER (140'x10') - 1,400 SF
 (2) 60' FLOATING FINGER PIER (60'x5') - 600 SF
 (2) 50' FLOATING FINGER PIER (50'x5') - 500 SF
 (2) 45' FLOATING FINGER PIER (45'x4') - 360 SF
 (3) 40' FLOATING FINGER PIER (40'x4') - 480 SF
 (1) 40' ADA FLOATING FINGER PIER (40'x5') - 200 SF

TOTAL "PIER E" FOOTPRINT - 6,234 SF

MOORING PILE - 28
 ADA-ACCESSIBLE GANGWAY (39'x6') - 234 SF

PIER H:
 8' WIDE MAIN FLOATING PIER (218'x8') - 1,744 SF
 8' WIDE T-HEAD FLOATING PIER (100'x8') - 800 SF
 (10) 35' FLOATING FINGER PIER (35'x4') - 1,400 SF

TOTAL "PIER H" FOOTPRINT - 3,944 SF

MOORING PILE - 24

PIER I:
 8' WIDE MAIN FLOATING PIER (226'x8') - 1,808 SF
 8' WIDE T-HEAD FLOATING PIER (84'x8') - 672 SF
 (11) 30' FLOATING FINGER PIER (30'x4') - 1,320 SF
 (1) 30' ADA FLOATING FINGER PIER (30'x5') - 150 SF

TOTAL "PIER I" FOOTPRINT - 3,950 SF

MOORING PILE - 12

PIER J:
 8' WIDE MAIN FLOATING PIER (219'x8') - 1,752 SF
 8' WIDE T-HEAD FLOATING PIER (60'x8') - 480 SF
 20' WIDE JET SKI DOCK (50'x20') - 1,000 SF
 (10) 25' FLOATING FINGER PIER (25'x4') - 1,000 SF
 (1) 20' FLOATING FINGER PIER (20'x4') - 80 SF
 (1) 20' ADA FLOATING FINGER PIER (20'x5') - 100 SF

TOTAL "PIER J" FOOTPRINT - 4,412 SF

MOORING PILE - 15

FLOATING BOARDWALK TO PIERS I, J, K:
 (2) 10' WIDE FIXED PLATFORM (12'x10') - 240 SF
 (2) 10' WIDE FLOATING PLATFORM (16'x10') - 320 SF
 8' WIDE FLOATING BOARDWALK (370'x8') - 2,960 SF

TOTAL "FLOATING BOARDWALK" FOOTPRINT - 3,520 SF

(2) ADA-ACCESSIBLE GANGWAY (44'x6') - 528 SF

PIER K:
 12' WIDE FLOATING PLATFORM (37'x12') - 444 SF
 8' WIDE MAIN FLOATING PIER (374'x8') - 2,992 SF
 8' WIDE T-HEAD FLOATING PIER (90'x8') - 720 SF
 (19) 40' FLOATING FINGER PIER (40'x4') - 3,040 SF
 (1) 40' ADA FLOATING FINGER PIER (40'x5') - 200 SF

TOTAL "PIER K" FOOTPRINT - 7,396 SF

MOORING PILE - 40
 ADA-ACCESSIBLE GANGWAY (44'x6') - 264 SF

PIER L:
 12' WIDE FLOATING PLATFORM (37'x12') - 444 SF
 10' WIDE MAIN FLOATING PIER (445'x10') - 4,450 SF
 10' WIDE T-HEAD FLOATING PIER (130'x10') - 1,300 SF
 (8) 60' FLOATING FINGER PIER (60'x5') - 2,400 SF
 (2) 55' FLOATING FINGER PIER (55'x5') - 550 SF
 (2) 50' FLOATING FINGER PIER (50'x5') - 500 SF
 (4) 45' FLOATING FINGER PIER (45'x4') - 720 SF
 (3) 40' FLOATING FINGER PIER (40'x4') - 480 SF
 (1) 40' ADA FLOATING FINGER PIER (40'x5') - 200 SF
 (2) 35' FLOATING FINGER PIER (35'x4') - 280 SF

TOTAL "PIER L" FOOTPRINT - 11,324 SF

MOORING PILE - 36
 ADA-ACCESSIBLE GANGWAY (44'x6') - 264 SF

PIER M:
 12' WIDE FLOATING PLATFORM (31'x12') - 372 SF
 8' WIDE MAIN FLOATING PIER (438'x8') - 3,504 SF
 8' WIDE T-HEAD FLOATING PIER (93'x8') - 744 SF
 (6) 45' FLOATING FINGER PIER (45'x4') - 1,080 SF
 (6) 40' FLOATING FINGER PIER (40'x4') - 960 SF
 (8) 35' FLOATING FINGER PIER (35'x4') - 1,120 SF
 (3) 30' FLOATING FINGER PIER (30'x4') - 360 SF
 (1) 30' ADA FLOATING FINGER PIER (30'x5') - 150 SF

TOTAL "PIER M" FOOTPRINT - 8,290 SF

MOORING PILE - 44
 ADA-ACCESSIBLE GANGWAY (44'x6') - 264 SF

CATWALK:
 9' WIDE CATWALK (DECKING & STRINGERS ONLY) (587'x9') - 5,283 SF
 (15) 20' FIXED FINGER PIER (20'x4') - 1,200 SF

TOTAL "CATWALK" FOOTPRINT - 6,483 SF

MOORING PILE - 15

PIER O:
 10' WIDE FIXED PLATFORM (12'x10') - 120 SF
 17' WIDE FLOATING PLATFORM (19'x17') - 323 SF
 10' WIDE MAIN FLOATING PIER (377'x10') - 3,770 SF
 10' WIDE T-HEAD FLOATING PIER (140'x10') - 1,400 SF
 (2) 65' FLOATING FINGER PIER (65'x5') - 650 SF
 (6) 55' FLOATING FINGER PIER (55'x5') - 1,650 SF
 (4) 50' FLOATING FINGER PIER (50'x5') - 1,000 SF
 (1) 45' FLOATING FINGER PIER (45'x4') - 180 SF
 (1) 45' ADA FLOATING FINGER PIER (45'x5') - 225 SF

TOTAL "PIER O" FOOTPRINT - 9,318 SF

MOORING PILE - 33
 ADA-ACCESSIBLE GANGWAY (44'x6') - 264 SF

PIER P:
 12" TIMBER WAVE FENCE (551'x1.0') - 551 SF
 10' WIDE MAIN FIXED PIER (400'x10') - 4,000 SF
 10' WIDE T-HEAD FIXED PIER (140'x10') - 1,400 SF
 (2) 65' FIXED FINGER PIER (65'x5') - 650 SF
 (4) 55' FIXED FINGER PIER (55'x5') - 1,100 SF
 (4) 50' FIXED FINGER PIER (50'x5') - 1,000 SF
 (3) 45' FIXED FINGER PIER (45'x4') - 540 SF
 (1) 45' ADA FIXED FINGER PIER (45'x5') - 225 SF

TOTAL "PIER P" FOOTPRINT - 9,466 SF

MOORING PILE - 36
 DOLPHIN PILE - 3

BOAT RAMP REPLACEMENT:
 36' WIDE BOAT RAMP (105'x36') - 3,780 SF
 (2) 16' WIDE BOAT RAMP (79'x16') - 2,528 SF
 (2) 8' WIDE BOAT RAMP (106'x8') - 1,696 SF

TOTAL "BOAT RAMP" FOOTPRINT - 8,004 SF
TOTAL "BOAT RAMP" IMPACTS FROM MHW INTO TIDAL WATERS - 4,939 SF

(282) TOTAL GUSSETS ON FLOATING PIERS (8 SF EA.) - 2,256 SF

TOTAL NEW STORM DRAINS
 (1) CITY OF CRISFIELD STORM DRAIN OUTFALL

IMPACT SUMMARY

TOTAL PROPOSED IMPACT = 107,876 SF (2.48 ACRES)
 TOTAL AREA OF IMPACT FROM MHW INTO TIDAL WATERS = 104,811 SF (2.41 ACRES)
 TOTAL AREA OF IMPACT TO SHALLOW WATER HABITAT = 4,664 SF (0.11 ACRES)
 TOTAL AREA OF IMPACT TO TIDAL WETLANDS = 0 SF (0.00 ACRES)

REPLACEMENT OF BULKHEAD, STORM DRAINS, UTILITIES & BOAT RAMP AT SOMERS COVE MARINA SOMERSET COUNTY, MD

APPL. BY: MARYLAND DEPARTMENT OF NATURAL RESOURCES
 CITY OF CRISFIELD

SITE NOTES

DATE: September 2023 SHEET 17 OF 17

22-WL-0999 & 23-WQC-0015

202261550
 A1-127599
 9/6/2023
 MPD

Bayland
 Consultants & Designers, Inc.
 "Integrating Engineering and Environment"

7455 New Ridge Road, Suite 1 Phone: (410) 694-9401
 Hanover, Maryland 21076 Fax: (410) 694-9405
 www.baylandinc.com